

NV3000 Pressure Vacuum Vent

Civacon's High Flow Pressure Vacuum Vent with Rollover Protection Built for Durability and Performance to Meet Worldwide Regulations...

The NV3000 Pressure Vacuum vent is designed with the durability to withstand extreme shock and vibrations experienced in the field. The result of light weight polymers used for the pressure and two unique horizontally positioned vacuum poppets. Vibration tests shows this design to last many times longer than current vents available today.

Protection....

The NV3000 meets DOT406, MC306, ADR and European EN14595 standards for rollover protection and has been designed to pass the California Resources Board (CARB) tests.

Purpose....

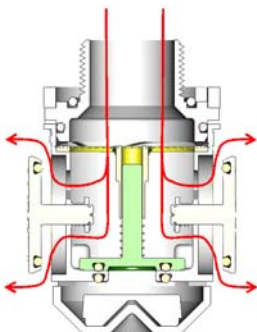
Its new vacuum relieving system features two independent vacuum poppet for greater flow and reliability. These poppets are strategically placed on the sides of the body and recessed in a shielded bore to protect against high G-forces and product surge forces of the petroleum product being transported. The new push and twist removable body assembly is designed for easy vent maintenance or replacement. Once installed, this unique design requires no tools after initial installation making inspections and cleaning as easy as 1-2-3. Experience less time between maintenance with the dust screen manufactured to keep foreign material out of the working parts of the vent. Improved poppet springs and seals provide better sealing for annual leakage test.



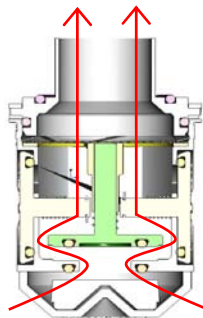
Features & Benefits

- Flow capacity of 1,445 SCFH @ 3 PSIG Venting.
- Flow capacity of 5,478 SCFH @ 1 PSIG Vacuum.
- Exceeds EN and CARB specifications.
- Higher flow rate than competitor's normal vent.
- Can be installed in any existing 10" fill cover.
- "J" Slot design for quick and easy removal for replacement or cleaning.
- Removable filter for easy quick cleaning.
- Double dovetail grooves for poppet O-Rings for a more secure and longer lasting seal.
- Teflon coated Viton A seals.
- Die-cast aluminum, stainless steel and acetal components.
- Lightweight durable design (16.8 oz.).

Vacuum Flow



Pressure Flow

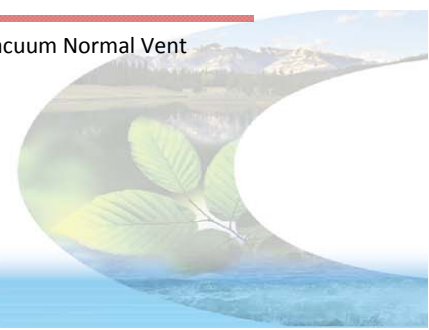


Ordering Specifications

Pressure Vacuum Vent

NV3000

Pressure/Vacuum Normal Vent



NV3000 Pressure Vacuum Vent

Specifications

Product Number:
NV3000

Materials:
Aluminum Housing

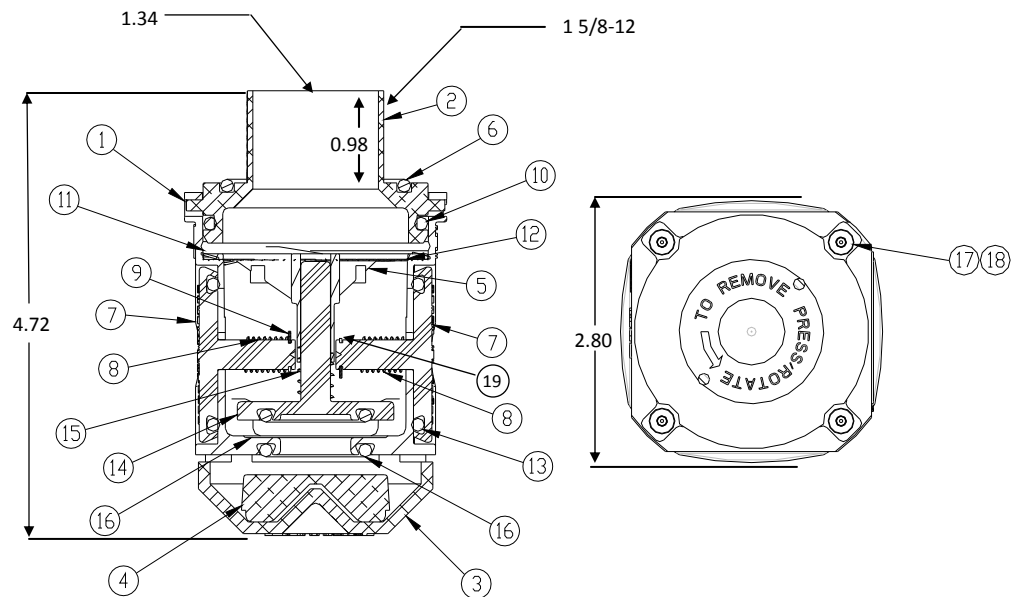
Dimensions:
See Diagram

Weight:
1.10 lbs. (0.49 kg)

Temperature:
-40°F to 158°F (-40°C to 70°C)

Repair Kits

NV3000RK Pressure Vacuum Repair Kit



| ITEM | PART NUMBER | DESCRIPTION | QTY. |
|------|-------------|-----------------|------|
| 1 | H71323 | BODY, MACHINED | 1 |
| 2 | H71322 | TOP ENCLOSURE | 1 |
| 3 | O-H71321 | HOUSING SHUTOFF | 1 |
| 4 | 6461 | DISK SHUTOFF | 1 |
| 5 | H71325 | POPPET GUIDE | 1 |
| 6 | 6479 | O-RING | 1 |
| 7 | H71327 | VACUUM POPPET | 2 |
| 8 | H71328 | VACUUM SPRING | 2 |
| 9 | H71329 | RETAINING CLIP | 2 |

| ITEM | PART NUMBER | DESCRIPTION | QTY. |
|------|-------------|-----------------|------|
| 10 | H71335 | O-RING | 1 |
| 11 | H71324 | FLAME ARRESTOR | 1 |
| 12 | 11745 | WAVE SPRING | 1 |
| 13 | 11943 | O-RING | 2 |
| 14 | H71326 | PRESSURE POPPET | 1 |
| 15 | H71330 | PRESSURE SPRING | 1 |
| 16 | 9428 | O-RING | 2 |
| 17 | H71401 | SCREW | 4 |
| 18 | 11851 | LOCK WASHER | 4 |
| 19 | 12072 | WASHER 5/16 | 2 |



Tester - VE04-TESTER

Product Maintenance

Suggested preventative maintenance should be completed every six months to ensure proper operation. If vent is operating in a dirty environment or with more aggressive liquids, more frequent maintenance will be required. Test the vent to verify that it is sealing properly. If it is not functioning properly, disassemble vent and clean filter/flame arrestor (11), o-rings (6, 10, 13 and 16), and sealing surfaces with warm soapy water. O-rings should be inspected for cuts, swelling, or deterioration. If any of these conditions are found, seals should be replaced. Inspect seal surfaces for scratches or other damage that may lead to improper seal. If these conditions exist, replace the vent.