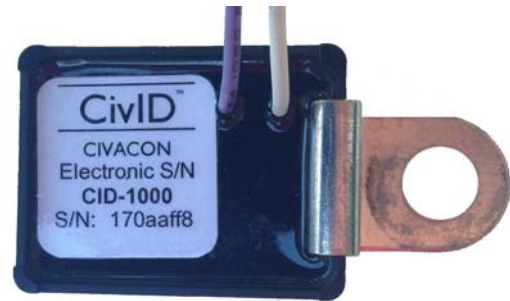




## Model CID-1000 CivID<sup>™</sup> Electronic Serial Number

**The Civacon CivID<sup>™</sup> Model CID-1000 Electronic Serial Number provides a unique electronic serial number for tankers loading at terminals which require automatic electronic identification for vapor tightness test verification.**



The **Civacon CivID Model CID-1000 Electronic Serial Number** provides a unique electronic serial number to loading rack monitors equipped to automatically read this industry standard format number. This electronic serial number is used by the terminal automation system to electronically identify the cargo tank. The **CivID** Model CID-1000 mounts inside the cargo tank's overfill prevention socket housing and simply wires to pins #9 & #10 inside the socket.

The **CivID** Model CID-1000 comes "pre-activated", so there is NO jumper that needs to be cut after installation. The Serial number is readable at any time.



### Features

- Each one provides a unique, industry standard electronic serial number for the cargo tanker
- Small, rugged design fits easily in all standard sockets, with less crowding for easier wiring
- Operates with all optic, thermistor and onboard monitor type overfill detection systems
- Compatible with all present trailer equipment and competitive units, with increased reliability
- Serial number is readable at any time, so there are no worries of it being disabled or damaged during routine socket maintenance
- Color coded wires for easy hookup.
- Can be read with all industry available readers
- Epoxy Encapsulated for reliability and ease of mounting
- Wire pins and ring terminals included for installation in all socket styles

# Model CID-1000 CivID™ Electronic Serial Number

## Ordering Specifications

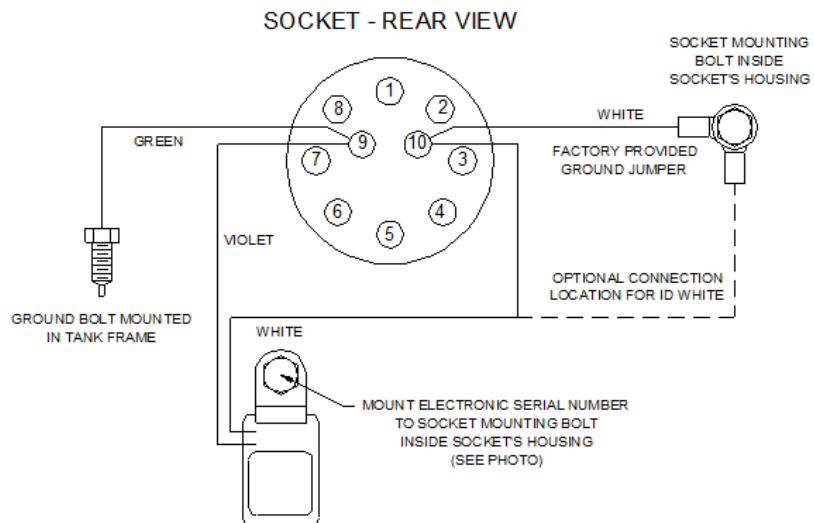
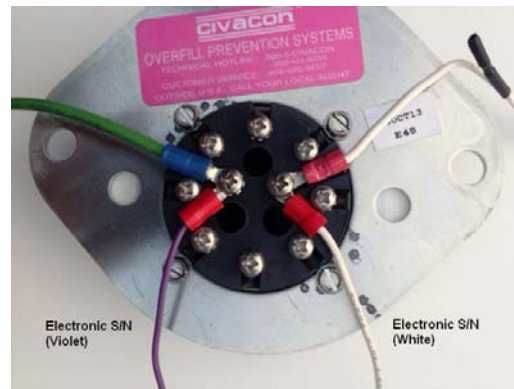
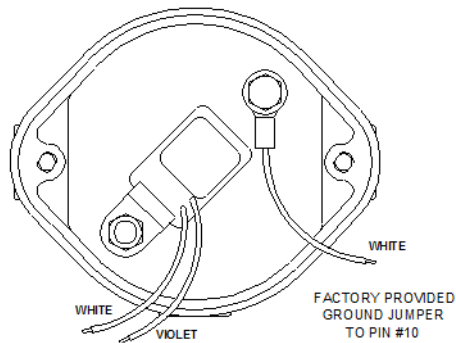
CivID Electronic Serial Number	
P/N	Description
CID-1000	Electronic Serial Number

## Product Specifications

**Dimensions:** 2.-1/2" L x 1-1/4" W x 3/4" H / (63.5 mm L x 31.8 mm W x 19.0 mm H)

**Weight:** 0.14 lbs. (0.06 kg)

**Temp. Range:** -40°F to 140°F (-40°C to 60°C)



Typical Installation and Wiring **with** Ground Bolt shown above. Installation Instructions # H53171PA covers all typical installation methods in detail.



PHONE: (816) 741-6600 • (888) 526-5657 • Fax: (816) 741-1061  
4304 Mattox Road • Kansas City, MO 64150 • [www.civacon.com](http://www.civacon.com)

July 2014