

High Flow Vapor Recovery Adaptor

Civacon's 633LVB Vapor Recovery Adaptor has made recovering vapors faster and easier.

Civacon's 633LVB Vapor Recovery Adaptors are used in the unloading process to capture vapors from releasing into the atmosphere. This high flow design maximizes unloading and loading of multiple compartments at the highest rates available. If you want safer faster unloads, you want Civacon's 633LVB Vapor Recovery Adaptor.

The 633LVB has been designed with an integral Air Interlock mounting pad and made for easy mounting of all air interlock valves. Bubble sight glass provides clear indication if any condensed liquid vapors are inside the adaptor. Unique body shape offers full 4" pipe flow area for unrestricted vapor recovery at the highest flow rates when using multiple loading arms.

Insist on the Civacon 633LVB Vapor Recovery Adaptor designed to cut down time and reduce maintenance costs.



633LVB



633LVB-301

Features & Benefits

- Conforms to API RP1004 and European EN13083 standards
- Viton Seals for easy replacement and low cost maintenance. Seals are gasoline and MTBE resistant
- High flow design maximizes unloading and loading of multiple compartments
- Features standard 4" TTMA mounting flange
- Brass 1/4" NPT Drain Plug
- Stainless Steel Hardware
- Only weighs 7.75 lbs (3.515 kg)

Ordering Specifications

633LVB Vapor Recovery Adaptor

633LVB	4" TTMA High Flow Vapor Adaptor
633LVB-301	4" TTMA High Flow Vapor Adaptor, w/ Air Interlock
1711T	Dust Cap



High Flow Vapor Recovery Adaptor

Specifications

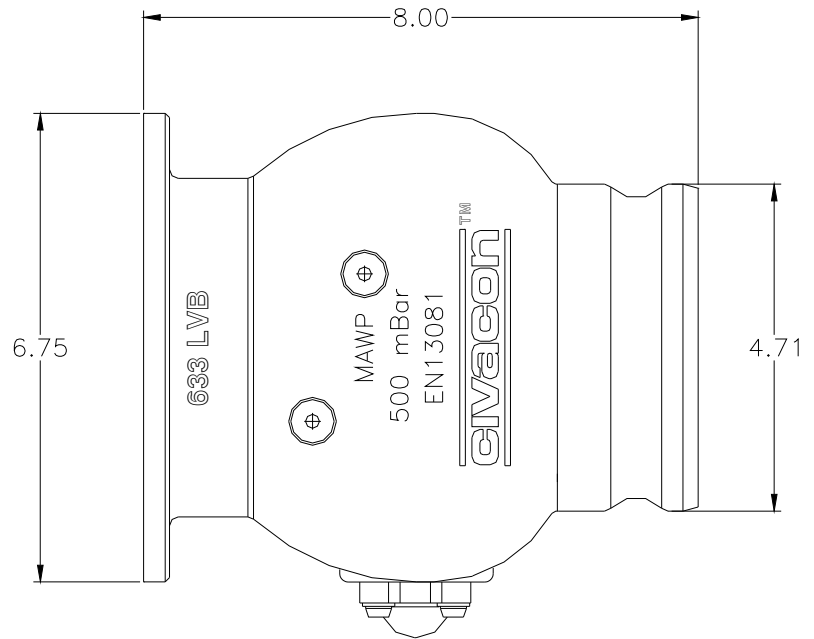
Product Number:
633LVB-301 (shown)

Materials:
Aluminum Body

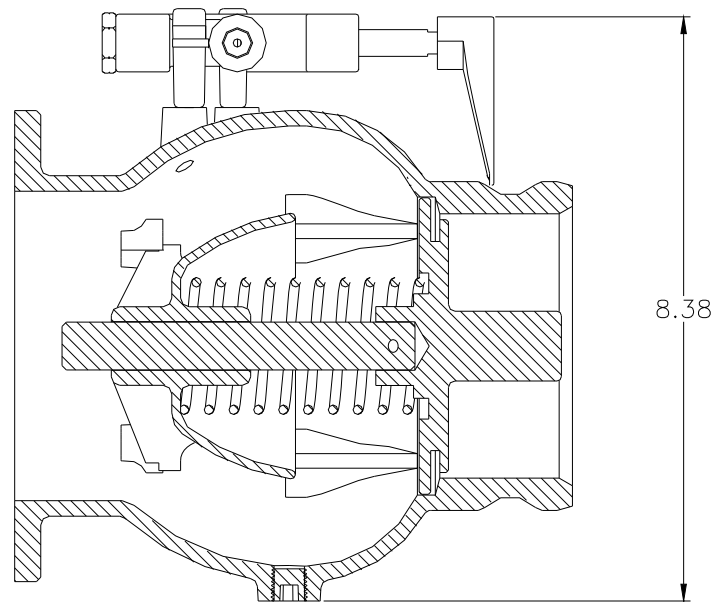
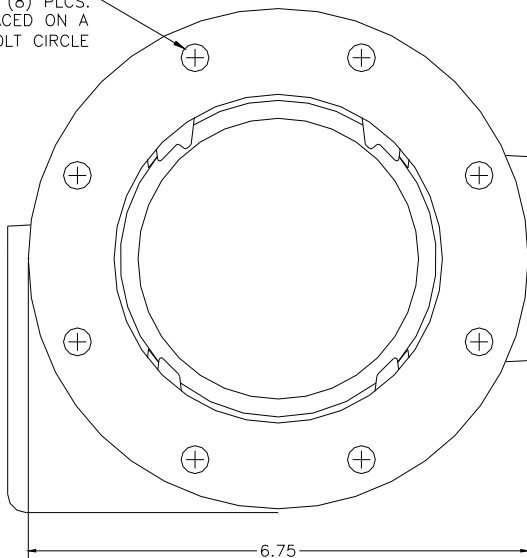
Dimensions:
Height - 8"
Width - 6.75"

Weight:
7.75 lbs. (3.515 kg)

Temp. Rating:
-30° F to 150° F (-34.4° C to 65.5° C)



ø.441/.438 THRU (8) PLCS.
EQUALLY SPACED ON A
ø5 7/8" BOLT CIRCLE



Repair Kit

H20009 Poppet Assembly

Accessories

1711T Dust Cap

301 Air Interlock Valve