



## 6" Crude Oil Emergency Valve

PART NUMBER

Rev. +, May 2012

**Civacon's 6" Emergency Valve is engineered for high performance in harsh environments prevalent in crude oil transportation. It is designed to handle viscous media while allowing maximum flow efficiency and maintaining long lasting performance.**

Civacon's 6" Crude Oil Valve is designed and engineered for long lasting performance, superior flow rates and low pressure drops. Manufactured with a hard coat anodized aluminum body for added corrosion protection, it is available in a 90 ° flanged elbow or flanged tee option, external air or cable operated.

The 6" crude valve conforms with HM183 standards and meets 49CFR178.345-8 shear section per TTMARP 84. These valves have been field tested in harsh environments and will withstand temperatures from -40°F to 220°F (-40°C to 104°C).

All emergency valves feature a frangible connection at the shear groove. This durable, open-bore design reduces loading, unloading and maintenance times so Civacon equipped trucks spend more time on the road, making our full line of emergency valves a profitable decision.



### Features and Benefits

- Compatible with 6" TTMA sump applications
- Lightweight with faster flow rates and low pressure drops
- Hard coat anodized aluminum body and components for added corrosion abrasion protection
- External air or cable operated
- Cable mounting bracket and pneumatic cylinder
- Flange outlet available in 90° Elbow or Tee
- Conforms with HM183 Standards
- Meets 49CFR178.345-8 shear section per TTMARP 84
- Temperature range from -40°F to 220°F (-40°C to 104°C).

# 6" Crude Oil Emergency Valve

## Product Specifications

### Product Number

VAXXXX

### Dimensions:

Height - 18 1/8"

Width - Elbow -12.75"

Tee - 15.25"

### Materials:

Aluminum Hard Coat Anodized Body

### Weight:

Elbow -17 lbs. ( 7 kg)

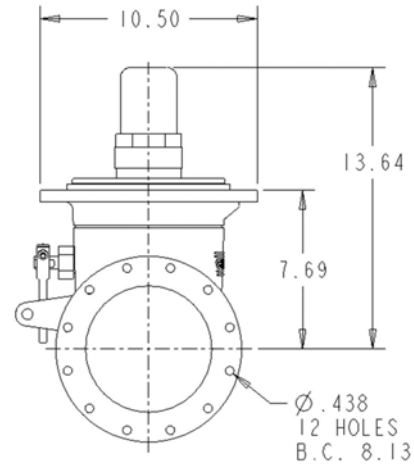
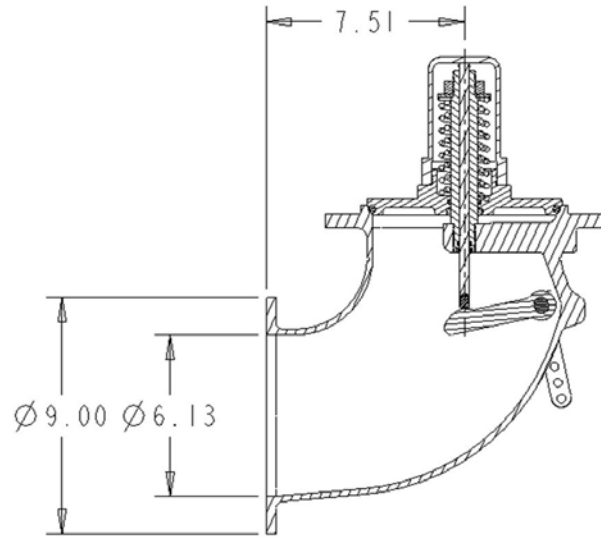
Tee- 19.5 lbs. (8 kg)

### Temp. Range:

-40°F to 220°F (-40°C to 104°C).

### MAWP:

12 PSI



## 6" Crude Oil Emergency Valve Ordering Information

TYPE	CODE	BODY	CODE	OPERATION	CODE	SEAL
VA	91	90° Elbow/Flanged	1	Mechanical	1	Viton
VA	91	90° Elbow/Flanged	2	External Air	1	Viton
VA	93	Tee/Flanged	1	Mechanical	1	Viton
VA	93	Tee/Flanged	2	External Air	1	Viton



PHONE: (816) 741-6600 • (888) 526-5657 • Fax: (816) 741-1061  
4304 Mattox Road • Kansas City, MO 64150 • [www.civacon.com](http://www.civacon.com)