

CIVACON



PART OF OPW A DOVER COMPANY

Petroleum ***Tank-Truck Products***



System3

Single Source System Package

Three Year System Package, Component Warranty Program



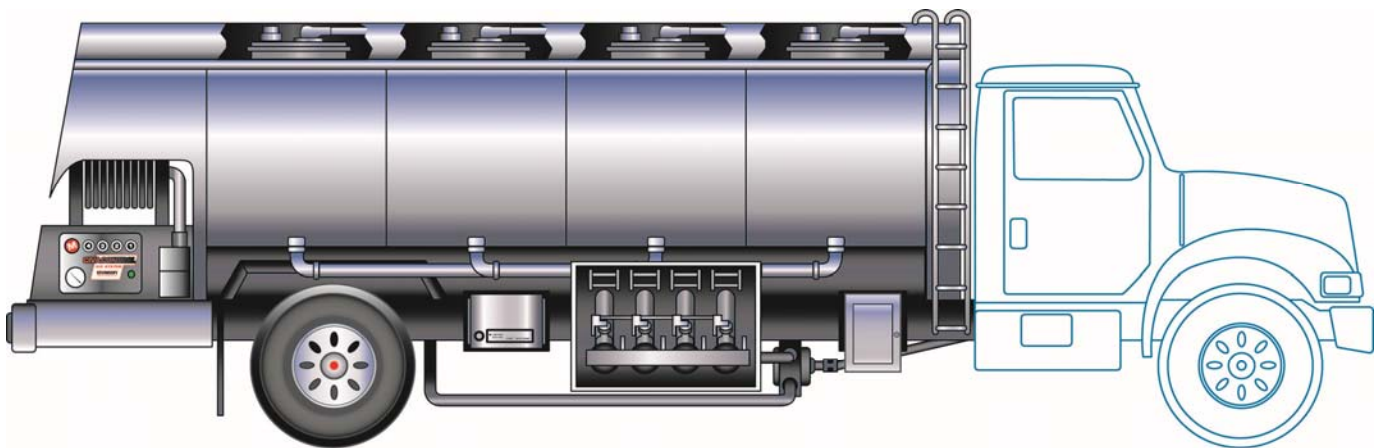
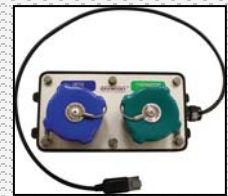
CIVACON



PART OF OPW A **DOVER** COMPANY

System3

System 3 components are designed, engineered, built and backed by one manufacturer to work in unison with one another. No other system offers this peace-of-mind assurance. Best of all, it comes with a **3-year total system warranty** covering manufacturer defects. Specify the world's most trusted, fully integrated bottom-loading system....
System 3 by Civacon



System3 Component Selection Guide

Check required items from each product category. Specify particulars when required.
Fax or E-mail a copy of this signed and dated page to Civacon or your Account Manager.
We will contact your builder and organize the rest!

A - Petroleum Manholes Assemblies

- 16" Offset Fill Cover Assy. (SSV Series)
- With Weld Ring
- Without Weld Ring

B - Vapor Recovery Vent

- 3" Threaded Hood Part #: T196SV
(for 16" SSV Series Manhole)

C - Internal (Emergency) Valve

- 5 x 4 MaxAir II™ Series Emergency Valves
(standard wTef-Sil o-rings Viton options available
contact factory)

Flanged

- 90° (Part# VA6182)
- Straight (Part# VA8182)

Victaulic

- 90°(Part# VA5182)
- Straight (Part# VA7182)

- 3-Inch Sequential Series Emergency Valves

Flanged

- 90°(Part# VA2050)

Victaulic

- 90°(Part# VA1050)
- Tee (Part# VA3050)

- Screen for 3" Valves Part #: 11297
- Screen for 4" MaxAir Valves Part #: 9438

D - Vapor Recovery Adaptors, Dust Cap & Air Interlock

- 4" Flanged with Sight Glass & Poppet Part #: 611FB
- 4" Flanged with Sight Glass, *no* Poppet Part #: 610FB
- Orange Plastic Vapor Dust Cap Part #: 1711T

E - Manifold Systems

- CivaFlo™ Single Manifold System (for single pump truck)
- CivaFlo™ Dual Manifold System (for dual pump truck)

NOTE: Use our Manifold Configurator for complete details

F - API Flat Bottom Loading Adaptors w/ Two Piece Body

- Openable w/o Sight Glass Part #: 891A
- Openable w/ Sight Glass Part #: 891BA
- Non-Openable w/o Sight Glass Part #: 891N
- Non-Openable w/ Sight Glass Part #: 891NB
- Dust Cap w/ Single Cam Part #: 875
- Gravity Drop Adaptor, Male Part #: 876-AL4030
Cam & Groove, 3" Male Outlet

G - Overfill Detection System

- ROM II – 2-Wire Onboard Monitor System
 - with ROM-Link™ Style Plug-N-Load™ Wiring
 - with Retain Product (Bottom) Sensors
- Opti-Link Overfill Detection System (with no OBM)
- Dual Socket, Pre-wired (with both API 4 J-Slot & 3 J-Slot Faceplates)
- API Thermistor Standard Socket (with 4 J-Slots & Green Cap)
- API 5-Wire Optic Standard Socket (with 3 J-Slots & Blue Cap)

NOTE: All of our Sockets now include built-in Ground

Fleet / Contact: _____

No. of Compartments: _____ No. of Tanks: _____

Tank Mfg.: _____

Date: _____

Company: _____

Address: _____

City: _____ State: _____ Zip: _____

Phone #: _____ Fax: _____

E-mail: _____

Signature: _____

With System 3 you can have it all...

- Full integrated systems designed to minimize downtime and maximize your return on investment.
- Only Civacon's System 3 single-source offering of tank components allows you to take advantage of our complete tank system solution.
- The CivaControl Air System and ROM II Overfill Detection System feature integrated interlocks to protect your tank during unloading.
- Products temperature tested -40° F to 140° F
- Compatible with diesel, biodiesel, gasoline, ethanol and methanol.
- Faster unloading with high flow flat bottom API & high flow vapor valves.
- Products feature standard Tef-O-Sil™ or Viton® GF seals for chemical compatibility.
- Don't risk the quality, integrity and support of your bottom loading system by piecing together a collection of components from separate manufacturers. In the end, it adds up to hassles, headaches, delays and a system that may not work together.
- System 3 Components are designed, engineered, built and backed by one manufacturer to work in unison with one another. Civacon employs rigorous manufacturing testing and quality processes by industry standards. Specify the world's most trusted, fully integrated bottom-loading system—System 3 by Civacon.

24 hour Technical Service (800) 524-8226

Toll-Free Sales Support

Monday - Friday 8am - 5pm

(Central Standard Time)

(888) 526-5657



4304 N. Mattox Road • Kansas City, MO 64150 • www.civacon.com
PHONE: (816) 741-6600 • (888) 526-5657 • FAX: (816) 741-1061