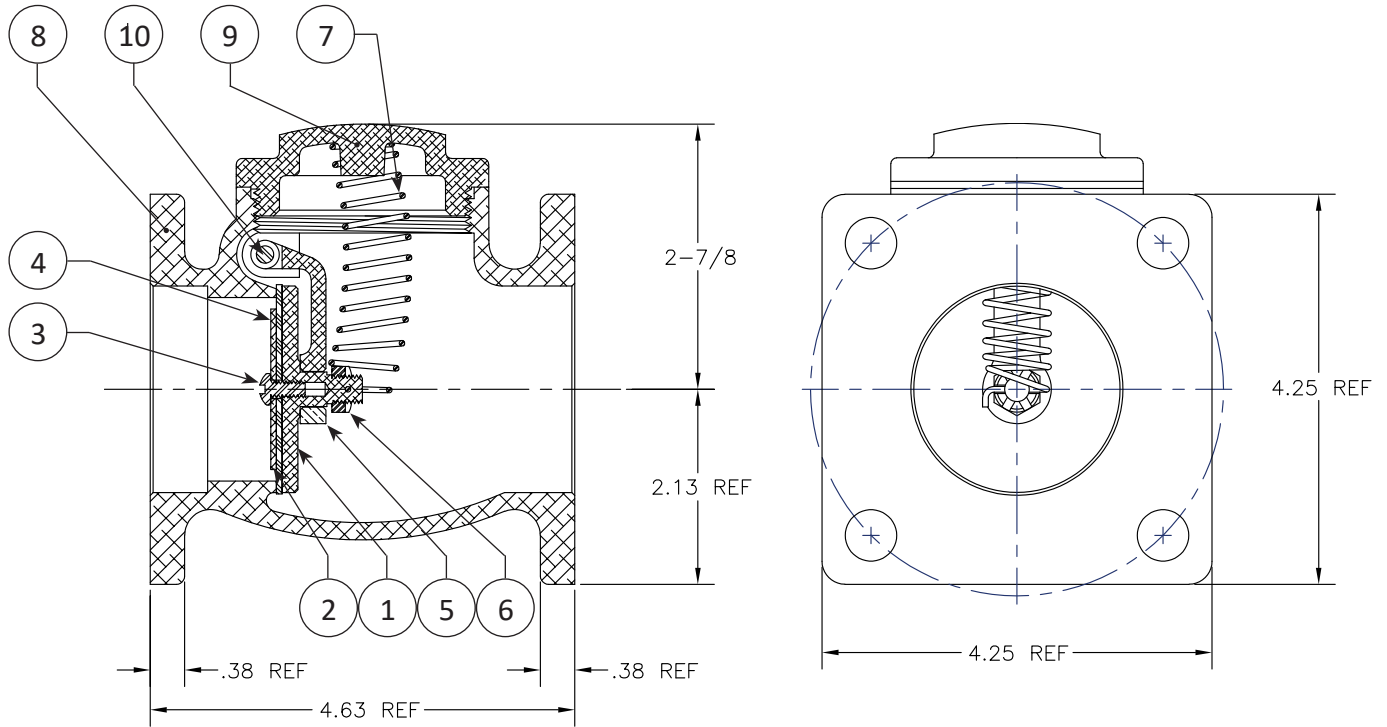


VA0006 - 2" Aluminum Swing Check Valve

03-22-001RP



ITEM	PART NUMBER	DESCRIPTION	QTY
1	1711 ¹	POPPET, ALUMINUM	1
2	1704 ¹	GASKET, BUNA-N	1
3	1707 ¹	SCREW, 10-24 x 3/8"	1
4	1708 ¹	BACK-UP DISC, ALUM	1
5	1712 ¹	POPPET ARM, ALUMINUM	1
6	4753 ¹	HEX NUT, 5/16-24	1
7	1709 ¹	SPRING	1

1 - Included in 1851_S/L

ITEM	PART NUMBER	DESCRIPTION	QTY
8	1698	BODY, ALUMINUM	1
9	1710	CAP, ALUMINUM	1
10	1713	SHAFT, SS	1
11	1715	NUT, ALUMINUM	1

REPAIR KITS

1851_S/L	POPPET ASSEMBLY
----------	-----------------



www.civacon.com ◆ 9393 Princeton-Glendale Road ◆ Hamilton, Ohio, USA 45011 ◆ Phone: (800) 422-2525 ◆ Fax: (800) 421-3297

NOTE: All information subject to engineering and/or other changes. All trade names are copyrighted. Patents Pending. ©2018 Civacon. ©2018 Delaware Capital Formation, Inc. All Rights Reserved. DOVER and the DOVER logo are registered trademarks of Delaware Capital Formation, Inc., a wholly-owned subsidiary of Dover Corporation.

Rev A, Jun 2020

DEFINING | WHAT'S NEXT