

# T196SV-CV Crude Oil Vent

01-10-003DS

**Civacon's Crude Oil Vapor Valve has a unique patented dual stage poppet action that enables effective venting under 35 psi tank pressure. This valve will retrofit existing 3.5" vapor vents currently mounted on crude oil tanks**

The Civacon T196SV-CV Crude Oil Vent is manufactured to withstand high pressure crude applications. It will open against 35 psi tank pressure. The unique patented dual stage poppet will relieve tank pressure during the 1st stage, allowing for optimal venting during the 2nd stage action. It is designed and tested to take the punishment of crude oil transportation from -40°F to 220°F (-40°C to 104°C). A new cap design threads into the top of the vent which allows for a better seal and eliminates the snap ring on top.

The T196SV-CV still maintains a low profile to keep the vents well below the overturn rail, yet with its increased seat opening offers improved flow with less pressure drop. An added third port improves the vent's closing speed.



## Ordering Specifications

- T196SV-CV Crude Oil Vapor Vent

## Accessories

- 9020 Flange Adapter Kit
- 12619 Crude Vent Adapter Flange
- 12067 Spanner Nut Tool

## Features and Benefits

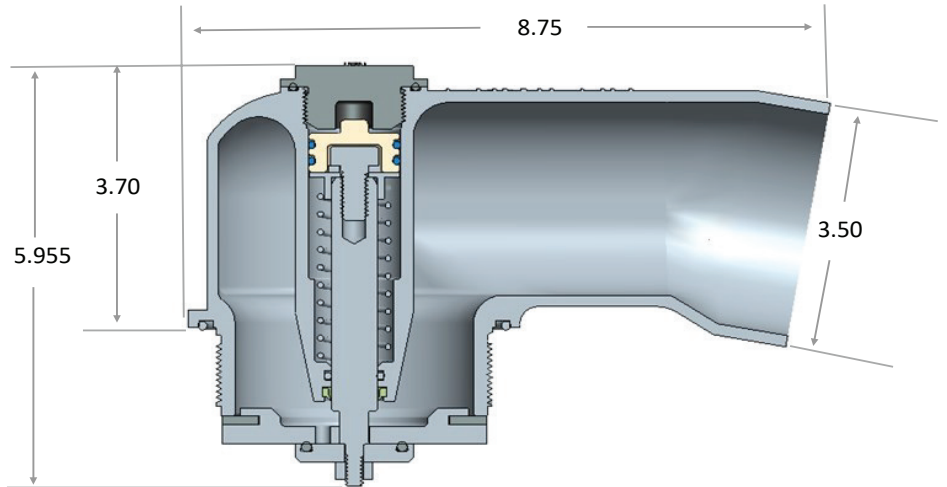
- Designed for crude oil applications
- Unique patented dual stage poppet action, 1st stage relieves tank pressure the automatically moves to stage two for maximum venting
- Opens against 35 psi tank pressure
- Lightweight aluminum body
- 1-1/2" total seat opening
- Increased spring tension for a quick, tight closure
- Dual fluorosilicon piston o-ring seals and a new lower shaft seal and wiper protect the air system
- New added external exhaust port for quicker opening and closing of poppet
- Viton GF wetted gasket and seals
- Thread in cap design eliminates snap ring

# T196SV-CV Crude Oil Vent

## Specifications

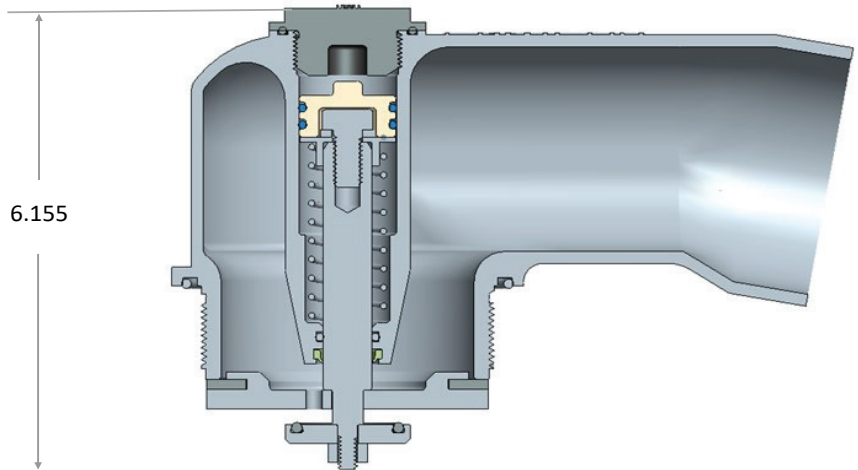
- Product Number:  
T196SV-CV
- Materials:  
Aluminum  
Stainless Steel  
Viton
- Dimensions:  
Height Closed 5.59"  
Height Open 5.62"  
Ride Height 3.70"  
Length 8.75"
- Weight  
3.60 lbs. (1.63 kg)
- Temperature:  
-40°F to 220°F (-40°C to 104°C)

Closed Position



Tank Pressure Relieved - Then Automatically Moves to Stage 2

Stage 1



Poppet Fully Extended for Maximum Venting

Stage 2

