

Replacement Procedure for Manifold Return Spout Check Valve Seals

During inspection of the Civacon manifold system it may be necessary to replace the seals in the return spout check valve over time. This procedure will guide you through the process.

CAUTION: Make sure the air supply to the return spout has been removed before performing inspection. Release any pressure that has built up in the return spout prior to removing the attachment fitting.

Disassembly of Return Spout:

As part of the disassembly process, it will be necessary to return the return spout assembly. This can be accomplished by removing (3) bolts at the base of the return spout body (Item 1) and remove the air line to the blow down device. Using the appropriate retaining ring pliers, remove the screen retaining ring (Item 2) from the body. Remove the screen (Item 3). Remove the check valve retaining ring (Item 4) with pliers. Remove the check valve assembly (Item 6). It may be necessary to push the poppet of the check valve open and pull on the inside of the brass seat to remove. Remove and replace the check valve mounting o-ring (Item 5). See figure 1.

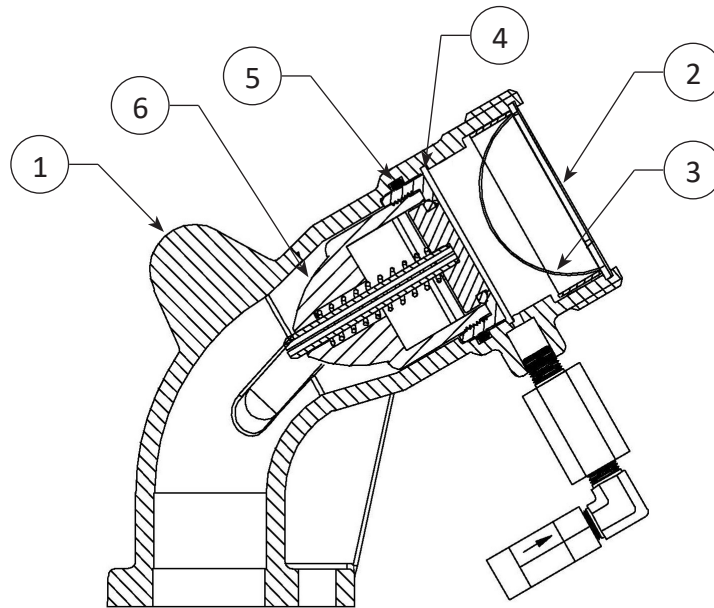


Figure 1

Disassembly of Check Valve:

Un-thread the cage (Item 1) from the brass seat (Item 6). This will allow access to the poppet (Item 2) and poppet o-ring (Item 5). Before installing new o-ring (P/N: 10737M), place a light coat of o-ring lubricant on the o-ring. Install the poppet o-ring without twisting it. Once the o-ring is installed assemble the check valve in reverse order. Tighten the cage to the brass seat by hand. Do not over-tighten. See Figure 2.

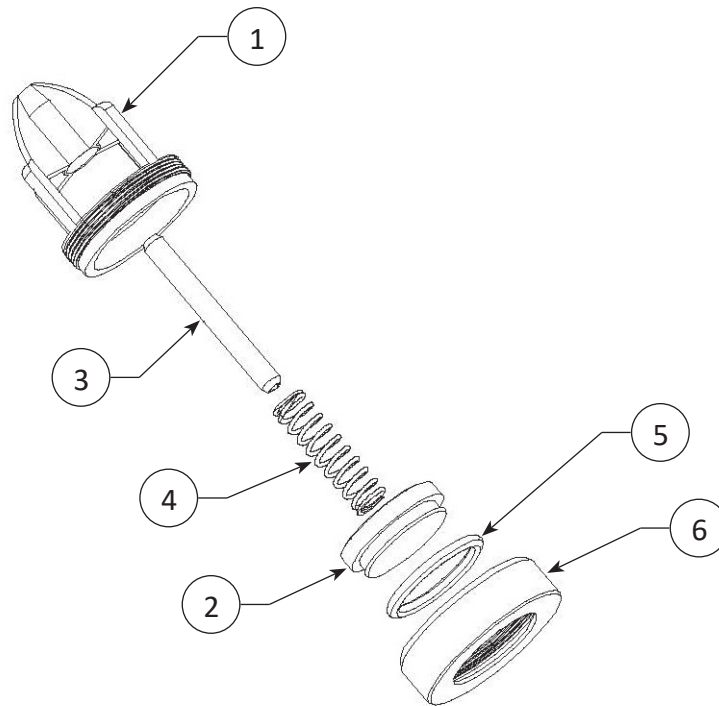


Figure 2

Assemble the Return Spout:

Before installing the check valve mounting o-ring, (10252M), apply a light coat of o-ring lubricant to the new o-ring. Install the check valve by sliding it in the end of the return spout body. Firmly apply pressure on the check valve to seat it in place. Install the retaining ring making sure it is sealed into the groove. Install the screen and retaining ring in the same manner.

Install a new return spout mounting o-ring (10269M) and return spout to manifold body. Tighten mounting bolts evenly.

11262M - O-RING REPLACEMENT KIT

11700M	RETURN SPOUT MOUNTING O-RING	1
10252M	CHECK VALVE MOUNTING O-RING	1
10737M	CHECK VALVE POPPET O-RING	1