

NV4000 Series Pressure Vacuum Vent

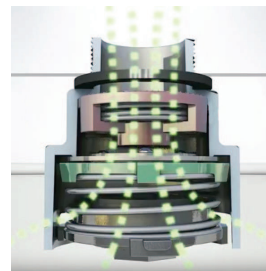
01-08-002DS

High-Flow pressure vacuum vent with rollover protection is built for durability and performance that meets worldwide regulations

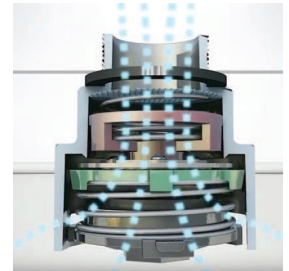
Civacon's NV4000 Series Pressure Vacuum Vent has a design that reduces part count by 45% for easier and quicker maintenance. The NV4000 is installed on the bottom of the manlid poppet via a 15/16" hex nut and has been built to withstand the extreme shocks, high G-forces, excessive surge forces and vibrations that can occur when petroleum products are being transported.

Features and Benefits

- Flow capacity of 1,600 SCFH at 3-PSIG venting
- Flow capacity of 3,900 SCFH at 1-PSIG vacuum
- Can be installed in existing 10" manlids
- J-Slot design with external snap ring for easy removal and cleaning
- Lightweight, durable design (14.4 oz.)
- Temperature range from -40°F to 158°F (-40°C to 70°C)
- Push and twist body assembly
- No tools required for maintenance or cleaning
- Improved poppet springs for better sealing
- Dust screen keeps foreign material out of poppets



The NV4000 vacuum vent opens and allows the excess pressure in the tank to flow out through its sides and bottom ports.



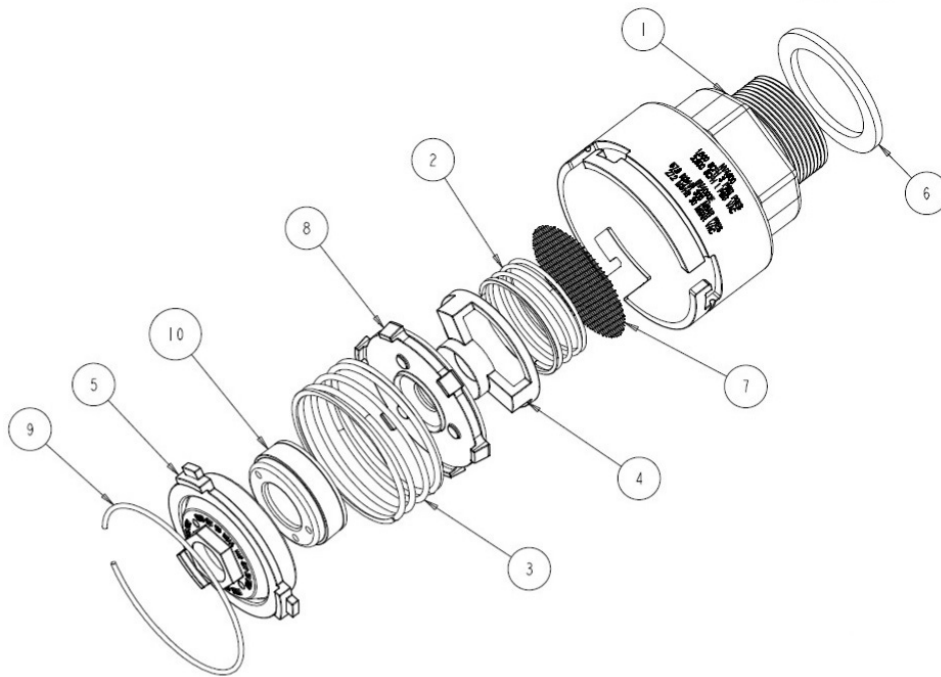
The NV4000 lowers in conjunction with a vacuum poppet, allowing vacuum pressure to be pulled into the tank.

The design and operation of the NV4000 meets DOT 406, MC306, ADR and European EN14595 standards for rollover protection and has been designed to also pass California Air Resources Board (CARB) regulations regarding airborne emissions.

NV4000 Series Pressure Vacuum Vent

Specifications

- Product Number: NV4000
- Material: Aluminum Housing
- Disc: Die Cast Aluminum, Stainless Steel, Acetal, Viton®
- Weight: 0.90 lbs (0.41 kg)
- Temperature range from -40°F to 158°F (-40°C to 70°C)



ITEM	PART NUMBER	DESCRIPTION	QTY.
1	13154	Body	1
2	13155	Spring, Pressure	1
3	13156	Spring, Vacuum	1
4	13157	Poppet, Pressure	1
5	13159	Housing, Rollover Puck	1
6	13163	Gasket, Flat	1
7	13167	Flame Arrestor	1
8	13192	Assembly, Vacuum Poppet	1
9	13207	Ring, Wire External Snap	1
10	13208	Assembly, Shutoff Puck	1
	13212	Instruction Sheet	