

MCP CivaControl™ Air System

The MCP Air Panel Assembly will provide fail-safe control of all essential components during loading and unloading operations of truck-mounted tanks and tank trailers

The MCP air-control panel is designed to protect the cargo tank during all loading and unloading operations. The MCP air control is equipped with a master control valve that allows for individual compartment lockout when open. When open, the master control valve will send an air signal to the sequential vapor vents, emergency valves, and interlocks. Once the air signal returns to the master control valve the MCP panel will provide a visible acknowledgement that the cargo tank is in a “safe” loading or unloading condition.



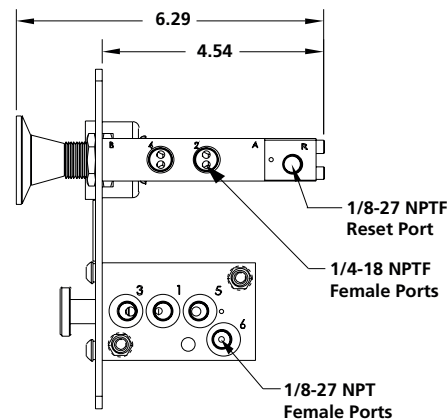
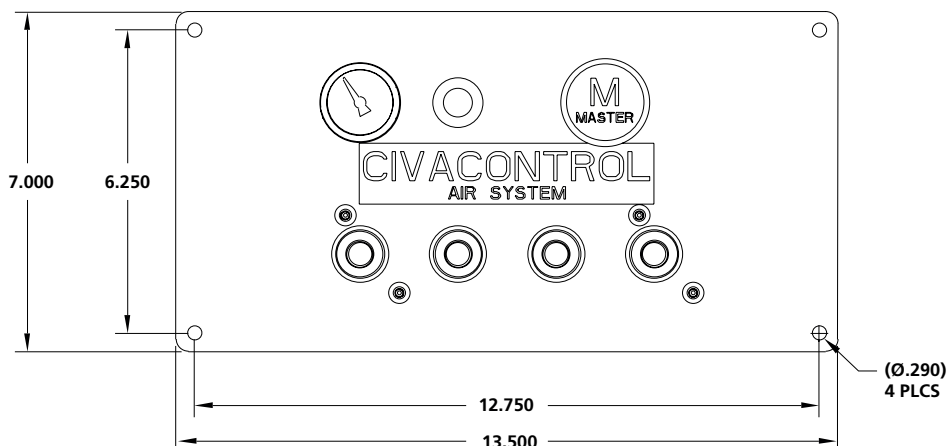
Features & Benefits

- Built-in cargo tank safety
- Individual compartment lockout when used in dual-manifold operations
- Controls guard bar operations to “set” trailer brakes when activated
- Returns all valves to “closed” position when Emergency Shutoff is activated
- Conveniently mounted on aluminum panel for easy installation
- Available for cargo tanks ranging from 1-12 compartments
- Videos and technical information available at www.civacon.com

MCP CivaControl™ Air System

Specifications

- **Product/Part Numbers:** MCP-XX (Available for tanks from 1 to 12 compartments)
- **Dimensions:** See Chart
- **Weight:** Varies per compartment size
- **Operating Pressure:** 90 - 150 PSI (6.2 - 10.3 Bar)
- **Temperature Rating:** -40°F to 150°F (-40°C to 65.5°C)



MCP CivaControl Ordering Specifications

Number of Compartments	Part Number	Panel Size
1	MCP-1	4.5" Square
2	MCP-2	7" x 13.5"
3	MCP-3	7" x 13.5"
4	MCP-4	7" x 13.5"
5	MCP-5	7" x 13.5"
6	MCP-6	7" x 17.5"
7	MCP-7	7" x 18.5"
8	MCP-8	7" x 19.5"
9+	Consult Factory	

NOTE: MCP-1 does not have a pressure gauge