

LM+ Dry Bulk Manhole

03-23-001DS

The Gold Standard in Dry Bulk Manholes. The Civacon LM Offers Unique Features that Deliver Superior Performance

For more than 50 years, Civacon has been a specialized manufacturer of pressure and non-pressure manholes used in the handling, transfer and transport of dry bulk commodities around the globe. In that time, Civacon manholes have been setting the standard for cost effective, efficient and reliable operation in a wide range of industries and their respective dry bulk handling applications.

LM Nylon Wearplate Features

- High Strength
- Easy to Install
- Smooth Operation
- No Product Hangups
- Handles Working Pressure up to 30 psi
- Increased Service Life
- Standard on New LM Series Manholes
- Can be Retro-Fitted to Existing LM Manholes

Barbed Gasket Design

- Easy to Install
- No Special Tools Needed
- No Mess
- Performance Immune to change in Climate
- Available in Neoprene, Buna-N, or Viton Material
- Easy to Replace when Updating Cam Components



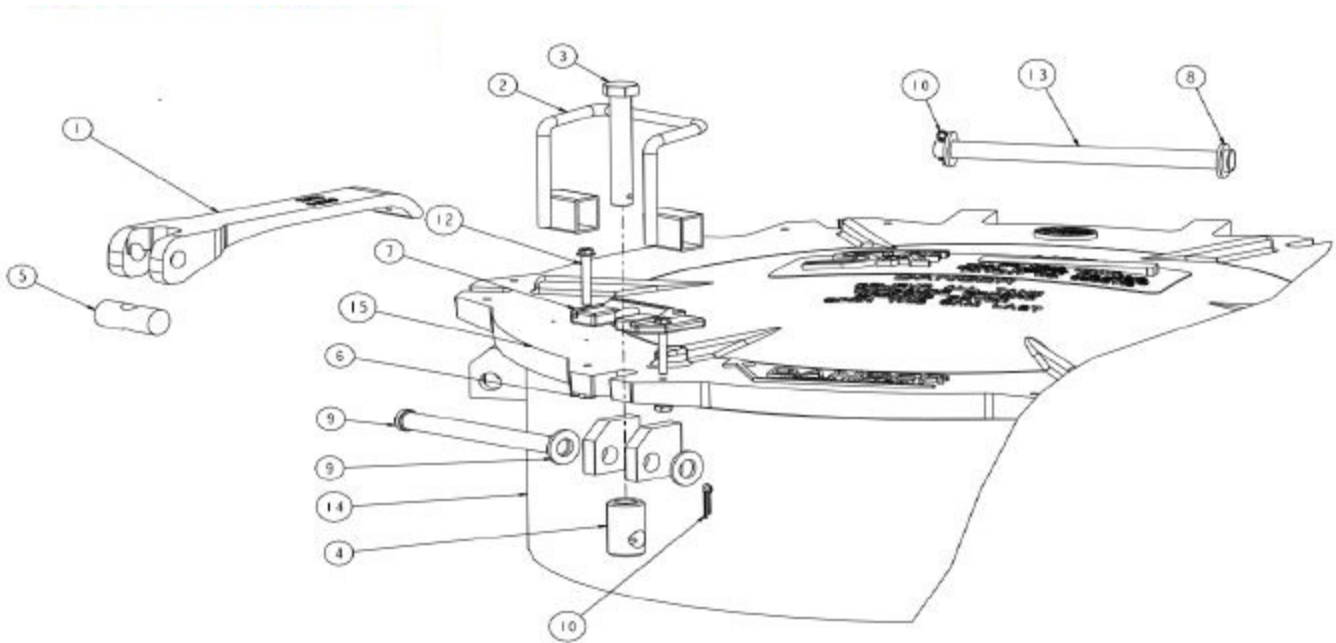
The LM manhole's advanced cam mechanism lets you adjust the cam bolt for a precision alignment and evenly applied lid force.



Advanced Cam Mechanism

- Adjustable cam bolts
- Precision alignment with lid
- Evenly applied lid force
- Consistent, superior seal
- Longer cam levers provide better leverage
- Improved mechanical operation
- Can be retrofitted to existing LM Manholes
- Simple, safe installation saves time and money

LM+ Dry Bulk Manhole



LM1151 Specifications

ITEM	PART NUMBER	DESCRIPTION	REQ'D QTY
1	10079	Cam Lever	6
2	9300	Safety Catch	1
3	10147	Bolt	6
4	1012	Connector	6
5	3068	Pin, Upper Pivot	6
6	4486	Lock Nut	12
7	6832	Wear Plate (Nylon)	6
8	1043	Washer (1/2" Flat)	4
9	5084	Pin, Safety Catch	1
10	1045	Cotter Pin	7

ITEM	PART NUMBER	DESCRIPTION	REQ'D QTY
11	5677	Cam Pin (Not Shown)	6
12	6585	Screw (10-24 x 1-1/4")	12
13	3955	Pin, Clevis Pld.	1
14	3467	Weld Ring (Aluminum)	1
15	9093	Cover (Aluminum)	1
	10869	Single Cam Assembly	
	10870	Single Cam Assembly w/Safety Catch	
	9209	Gasket, White Neoprene	
	9821	Gasket, Black Buna-N	
	12233	Gasket, Viton	

Cam Kit 9583 can also be purchased that includes:
5 - 10869, 1 - 10870, 6 - 6832, 12 - 4486, 12 - 6585



Civacon LM Manholes

CAM Adjustment
Precision Alignment with Lid
Superior Seal
Gasket
Tool-less Barbed Gasket
No Thermal Changes Caused by Climate



Typical Industry Manhole

CAM Adjustment
No Precision Alignment with Lid
Seal Wears Down Over Time
Gasket
Special Tools Required
Affected by Changes in Climate