

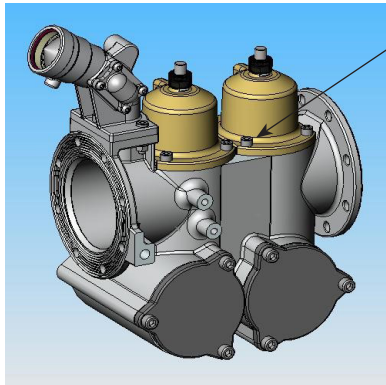
## Double Manifold Poppet Replacement Instructions

### WARNING: EYEPROTECTION REQUIRED

Remove all air pressure from the manifold before loosening poppets.

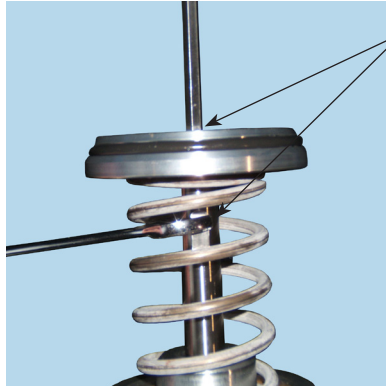
### APPLICATIONS:

This technical bulletin describes the procedure to replace double manifold poppets. The poppet assembly is illustrated below.



#### Step 1

Remove 4 screws on air cylinder and pull out the air cylinder assembly.



#### Step 2

Remove the poppet from the shaft. Hold the shaft with a 9/16" wrench on the flat of the shaft and remove the cap screw on end of the poppet.



Poppet hold down air (air port on top side)

#### Step 3

Replace old poppet with new poppet. Repeat previous steps to reinstall poppet assembly. Use thread lock on the thread of the cap screw before installing poppet to the shaft. Applying hold down air while reassembling the unit will prevent the shaft from being pushed into the cylinder.

**CAUTION: Take care not to damage seal in the installation process.**