

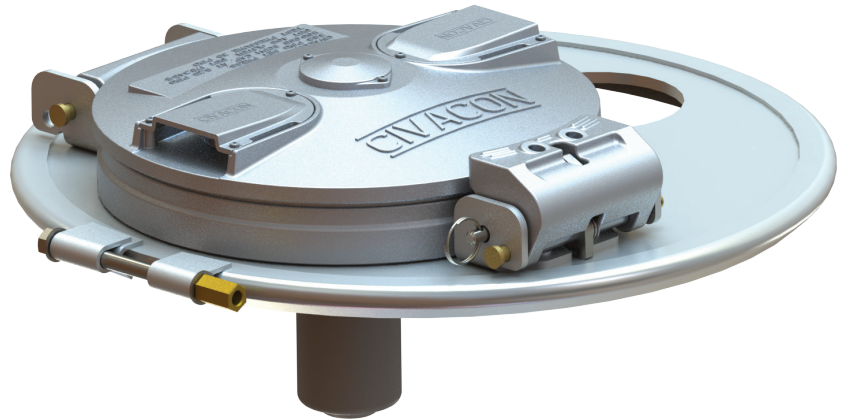
ALVN Petroleum Manhole Cover

The ALVN Petroleum Manhole Cover Offers the Security, Access and Safety for Real-World Use

The Civacon ALVN Pressure-Activated Fill Cover (PAF) is made from high-strength aluminum, providing protection against rust as well as weight reduction. Civacon's ALVN Manhole Cover weighs up to 30% less than competitive DOT406 Manhole Covers on the market today.

The 10" PAF is factory set to open at 3.63 psig, and features easy set pressure adjustability without the worry of compromising emergency venting capacity.

The Civacon ALVN Manhole Cover is the perfect choice for new construction, or as a replacement for all DOT406 and older MC306 cargo tanks. It meets the requirements for DOT 49CFR178.345 5 (36-psig Test Pressure), and the precision design and construction limits the amount of product leakage in a rollover situation to less than one liter as required by standards.



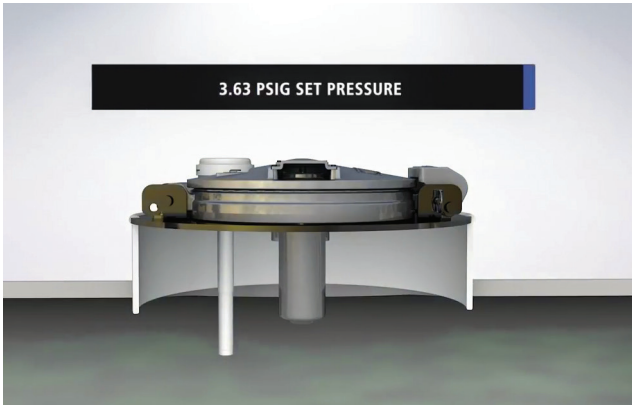
ALVN Petroleum Manhole Cover

Features and Benefits:

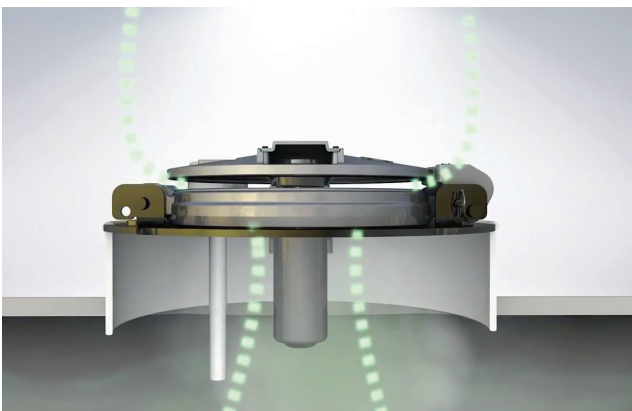
- Pressure relief setting 3.63 psig
- Easy set-pressure adjustability
- Rated emergency venting capacity of 500,000 scfh at 6.25 psig
- Includes (1) Pressure/Vacuum Normal Vent. Accommodation for a second Normal Vent is available as an option
- Lightweight at 14.8 lbs. Retrofits to existing weld rings
- Reversible PAF opening (hinge) direction
- Standard secondary latch
- Buna-N gaskets are standard – optional materials are available upon request
- Offset cover includes holes for the Vapor Vent and Overfill Sensor, plus a ¼-inch NPT port for a plug



ALVN Petroleum Manhole Cover



Normal Closed Position (Set Pressure 3.6 psig)



The cover will open to relieve pressure in relation to the amount of pressure building inside the tank



Maximum venting capacity is 6.25 psig

Specifications

- **Product Part Numbers:** ALVN
- **Materials:**
 - PAF – Aluminum
 - Cover – Aluminum
- **Dimensions:** 16" Cover and 10" Fill Opening
- **Weight:** 14.8 lbs. (6.7 kg)
- **Temperature Range:** Operating Temperature -40°F (-40°C) to 160°F (70°C)

Product Numbers

| Product Number | Description |
|----------------|--|
| ALVN601110 | 16" Offset Manhole Cover with NV3000 Normal Vent without Weld Ring |
| ALVN60111C-B | 16" Offset Manhole Cover with NV3000 Normal Vent/T196SV Vapor Vent/1455-1455 Overfill Sensor without Weld Ring |
| 4754 | 16" Aluminum Weld Ring |
| 7700N | 10" Fill Cover/Emergency Vent |
| 12824 | 16" Cover |