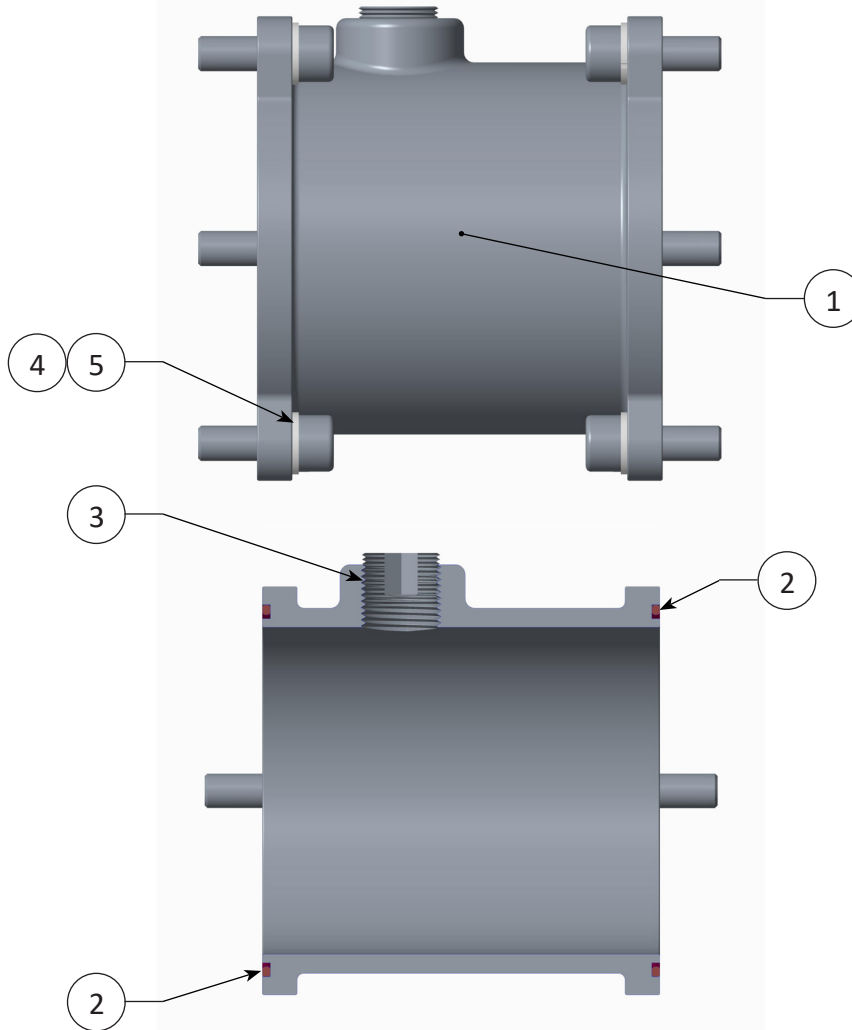


# Collector Pipe Assembly

01-05-015RP

10562M Collector Pipe Assembly  
for 14" Centers

10561M Collector Pipe Assembly  
for 11" Centers



ITEM	PART NUMBER	DESCRIPTION	QTY.
1	10571M	COLLECTOR PIPE FOR 14" CENTERS	1
1	10570M	COLLECTOR TEE FOR 11" CENTERS	1
2	10494M	O-RING, 102 x 3 (.118 x 4.016) NITRILE	2
3	9901	PLUG, 1/2 NPT, BRASS	1
4	10521M	SCREW, M10 x 1.5 x 30, ZINC PLATED	6
5	10740M	LOCK WSHR, M10, ZINC PLATED	6



www.civacon.com ◆ 9393 Princeton-Glendale Road ◆ Hamilton, Ohio, USA 45011 ◆ Phone: (800) 422-2525 ◆ Fax: (800) 421-3297

NOTE: All information subject to engineering and/or other changes. All trade names are copyrighted. Patents Pending. ©2018 Civacon. ©2018 Delaware Capital Formation, Inc. All Rights Reserved. DOVER and the DOVER logo are registered trademarks of Delaware Capital Formation, Inc., a wholly-owned subsidiary of Dover Corporation.

Rev B Mar 2020

DEFINING | WHAT'S NEXT