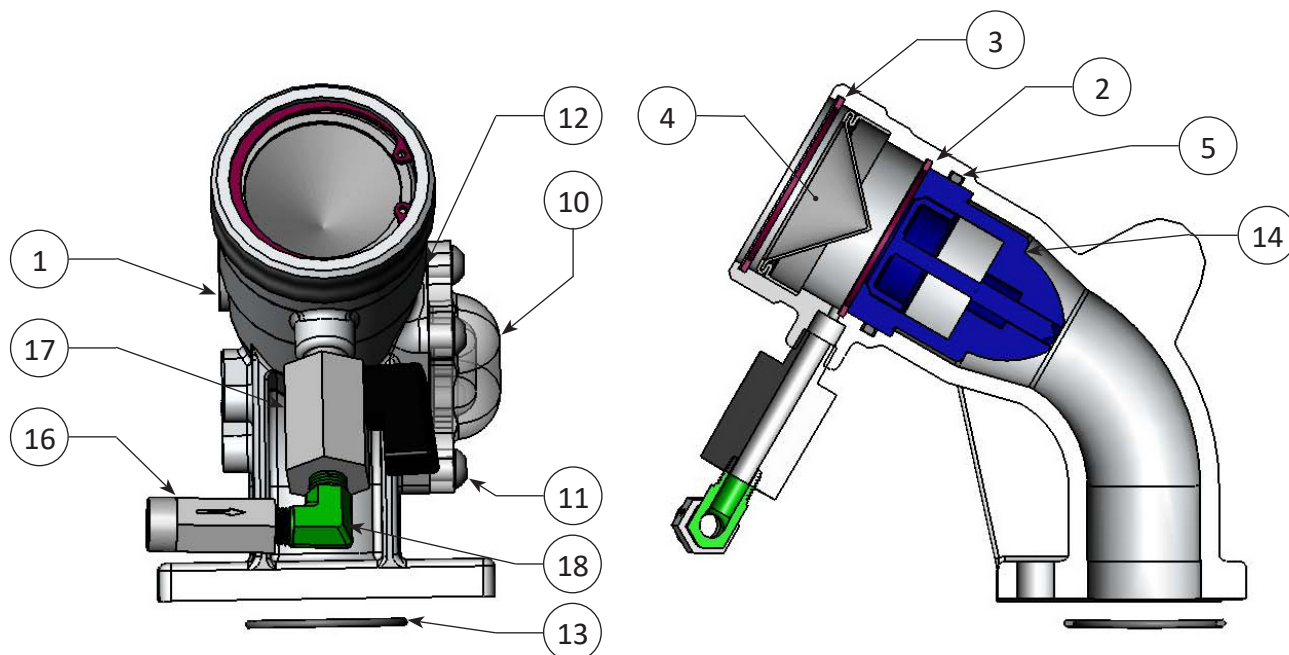


10546M NPT Return Spout Assembly

01-05-005RP



ITEM	PART NUMBER	DESCRIPTION	QTY.
1	10539M	BODY, RETURN SPOUT, MACHINED	1
2	10249M	RETAINING RING, 1-3/4" INT, ZP	1
3	10250M	RETAINING RING, 2" INTERNAL, ZP	1
4	10251M	STRAINER, MANIFOLD RETURN SPOUT	1
5	10252M	O-RING, 44 x 3 VITON	1
6	10235M	SCREW, M8 x 20 SHCP ZP	1
7	10277M	SCREW, M8 x 35 SHCP ZP	2
8	10263M	WASHER, M8 FLAT ZP	2
9	10262M	NUT, M8 ZP	2
10	11365M	SIGHT GLASS	1
11	12490	SCREW, 1/4-20 x 1/2 w/ THREAD LOCKER	4
12	H51437M	O-RING, BUNA-N LOW SWELL	1
13	11700M	O-RING, 2-125 BLACK NITRILE	1
14	12580	CHECK VALVE, RETURN SPOUT	1
15	10756M	CAP, VINYL 2" NPT (NOT SHOWN)	1
16	10765M	CHECK VALVE, RTN SPT BLOW DOWN	1
17	10766M	BALL VALVE, RTN SPT BLOW DOWN	1
18	10767M	FITTING, BRASS ELB. 1/8 MPT	1

Items 6, 7, 8, 9 & 13 will be bagged with each return spout.



www.civacon.com ◆ 9393 Princeton-Glendale Road ◆ Hamilton, Ohio, USA 45011 ◆ Phone: (800) 422-2525 ◆ Fax: (800) 421-3297

NOTE: All information subject to engineering and/or other changes. All trade names are copyrighted. Patents Pending. ©2018 Civacon. ©2018 Delaware Capital Formation, Inc. All Rights Reserved. DOVER and the DOVER logo are registered trademarks of Delaware Capital Formation, Inc., a wholly-owned subsidiary of Dover Corporation.

Rev B Mar 2020

DEFINING | WHAT'S NEXT