

LA 8" Fill Cover Assembly

The LA 8" Fill Cover is a low profile, easy opening, positive seal unit. This unit comes with a 3" high standard weld ring, the design and strong steel stamping ensure a long lasting, easily maintained Fill Cover. The LA 8" is available in all steel or stainless contact parts with external plated steel. A Buna-N gasket is standard, but other gasket materials are also available.



Applications

- Fill Opening
- Clean Out
- Inspection Cover
- Sampling Port

Markets

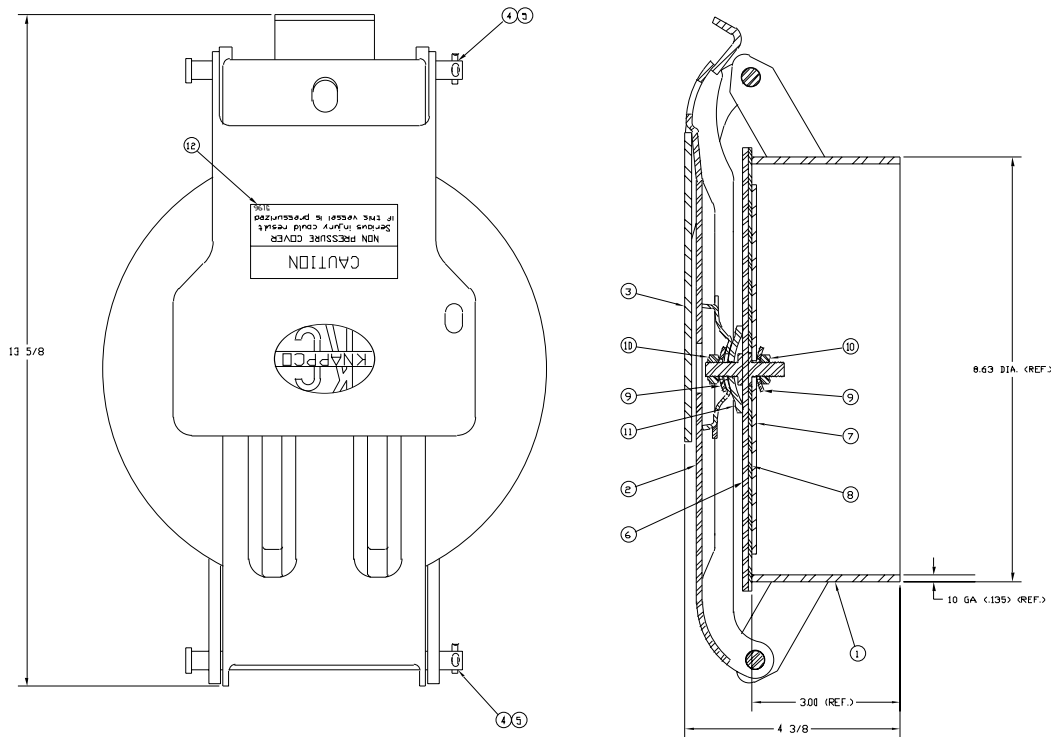
- Cargo Tank
- Conveying Systems
- Industrial
- Storage Silos

Features & Benefits

- Low profile 3" high weld ring
- Easy opening cover
- Long lasting construction that is light weight and easy to maintain
- Buna-N gasket that provides a positive seal and is easily replaced
- Ideal inspection port for conveying systems (Screw or Air Operated)

MODEL	COVER MATERIAL		WELD RING MATERIAL		GASKET MATERIAL		VENT TYPE		
	CONTACT	EXTERNAL							
LA	1	Steel	Steel	0	None	1	Buna-N	0	No Vent
	2	SS304	Plated	1	Steel	2	Hi-Temp	1	VE0010
	3	SS304	SS304	2	SS304	3	White Neoprene	2	NV4000
	4	SS316	SS304	3	SS316	4	Teflon		
						5	Viton		

LA 8" Fill Cover Assembly



NO.	PART NAME	STEEL	PLATED	SS304	SS316	QTY
1	3" Weld Ring Assy.	1638		3895	4064	1
2	Cover	1634	3888	4129		1
3	Gasket Retainer	1639		3887	4069	1
4	Strongback Assy.	3377	3378	3379		1
5	Retainer Washer		1117	1118		1
6	Lock Nut		1104	1105		1
7	Spacer		1101	1102		1
8	Hinge Pin		2016	2090		2
9	Latch	1125	1126	1127		1
10	Cotter Pin		1045	1083		2

NO.	GASKET MATERIAL	
11	Buna-N	1641
	Hi-Temp	2568
	White Neoprene	4739
	Teflon	2678
	Viton	5080

Specifications

- Product/Part Numbers: See Ordering Specification Chart
- Dimensions: Overall Height 4-3/8" (Approximately)
- Weight: 10.75 lbs.