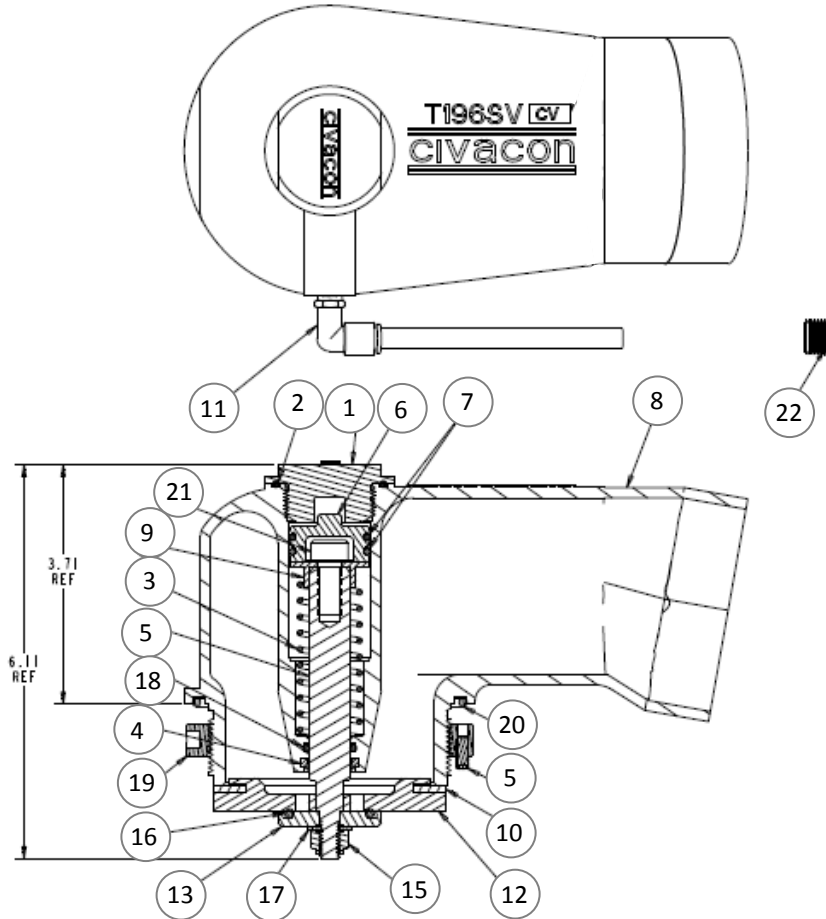


T196SV-CV CRUDE OIL VAPOR VENT



| ITEM | PART NUMBER | DESCRIPTION | QTY. | ITEM | PART NUMBER | DESCRIPTION | QTY. |
|------|-------------|-----------------------|------|------|-------------|-----------------------|------|
| 1 | 11672 | THREADED CAP | 1 | 13 | 12510 | POPPET DISC 1ST STAGE | 1 |
| 2 | 11692 | O-RING, VITON | 1 | 14 | 12501 | SHAFT | 1 |
| 3 | 11694 | STAINLESS SPRING | 1 | 15 | 12502 | NUT | 1 |
| 4 | 11696 | WIPER SEAL | 1 | 16 | 12503 | O-RING, VITON | 1 |
| 5 | 11697 | SET SCREW | 1 | 17 | 12504 | SEAL WASHER | 1 |
| 6 | 11772 | DUAL PISTON SEAL | 1 | 18 | 10681M | O-RING | 1 |
| 7 | 11776 | O-RING, FLUOROSIL | 2 | 19 | H20083M | LOCKING RING | 1 |
| 8 | 11964 | T196 BODY | 1 | 20 | H20124M | O-RING | 1 |
| 9 | 11990 | SPRING GUIDE | 1 | 21 | 12532 | SCREW | 1 |
| 10 | 12007 | GASKET, VITON | 1 | 22 | H52199M | PIPE PLUG | 1 |
| 11 | 12526 | TUBE | 1 | | | | |
| 12 | 12499 | POPPET DISC 2ND STAGE | 1 | | | | |