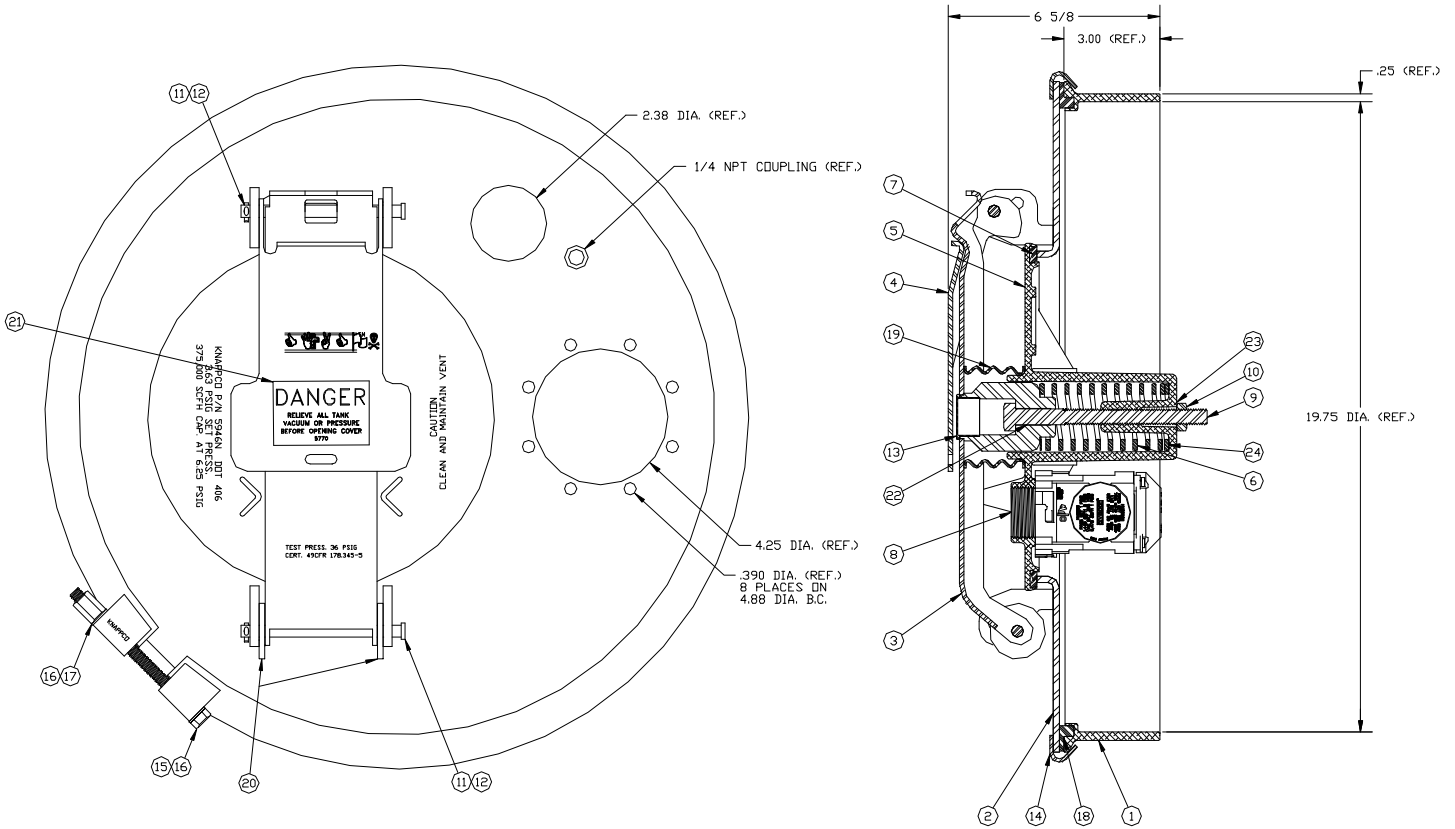




# SWN171120 20" Manhole Assembly w/Steel Weld Ring

PARTS BREAK DOWN



ITEM	PART NUMBER	DESCRIPTION	QTY.
1	*5452 <sup>4</sup>	WELD RING	1
2	6049	COVER WELDMENT	1
3	5988 <sup>1</sup>	STRONGBACK	1
4	6121	LATCH	1
5	5870 <sup>1</sup>	FILL COVER	1
6	5895 <sup>1</sup>	SPRING	1
7	12022 <sup>1,3</sup>	GASKET	1
8	NV3000 <sup>1</sup>	PRESSURE VACUUM VENT	1
9	5890 <sup>1</sup>	SCREW	1
10	5681 <sup>1</sup>	LOCK NUT	1
11	5951	CLEVIS PIN	2
12	1045	COTTER PIN	2
13	5961 <sup>1</sup>	PLUG	1
14	3250	CLAMP RING	1

ITEM	PART NUMBER	DESCRIPTION	QTY.
15	1110	SCREW	1
16	1113	WASHER	2
17	5009	NUT	1
18	4646 <sup>2</sup>	GASKET	1
19	5960 <sup>1</sup>	BOOT	1
20	6025	WASHER	2
21	5770	DECAL	1
22	6755 <sup>1</sup>	BUSHING	2
23	9874 <sup>1</sup>	WASHER	1
24	5203 <sup>1</sup>	BUSHING	4

\*Available without Weld Ring—P/N SWN101120

REPLACEMENT FILL COVER	
5946NN	FILL COVER ASSEMBLY

1—Included in 5946N, 2—Also available in Viton—P/N 4874, 3—Also available in Viton—P/N 6263