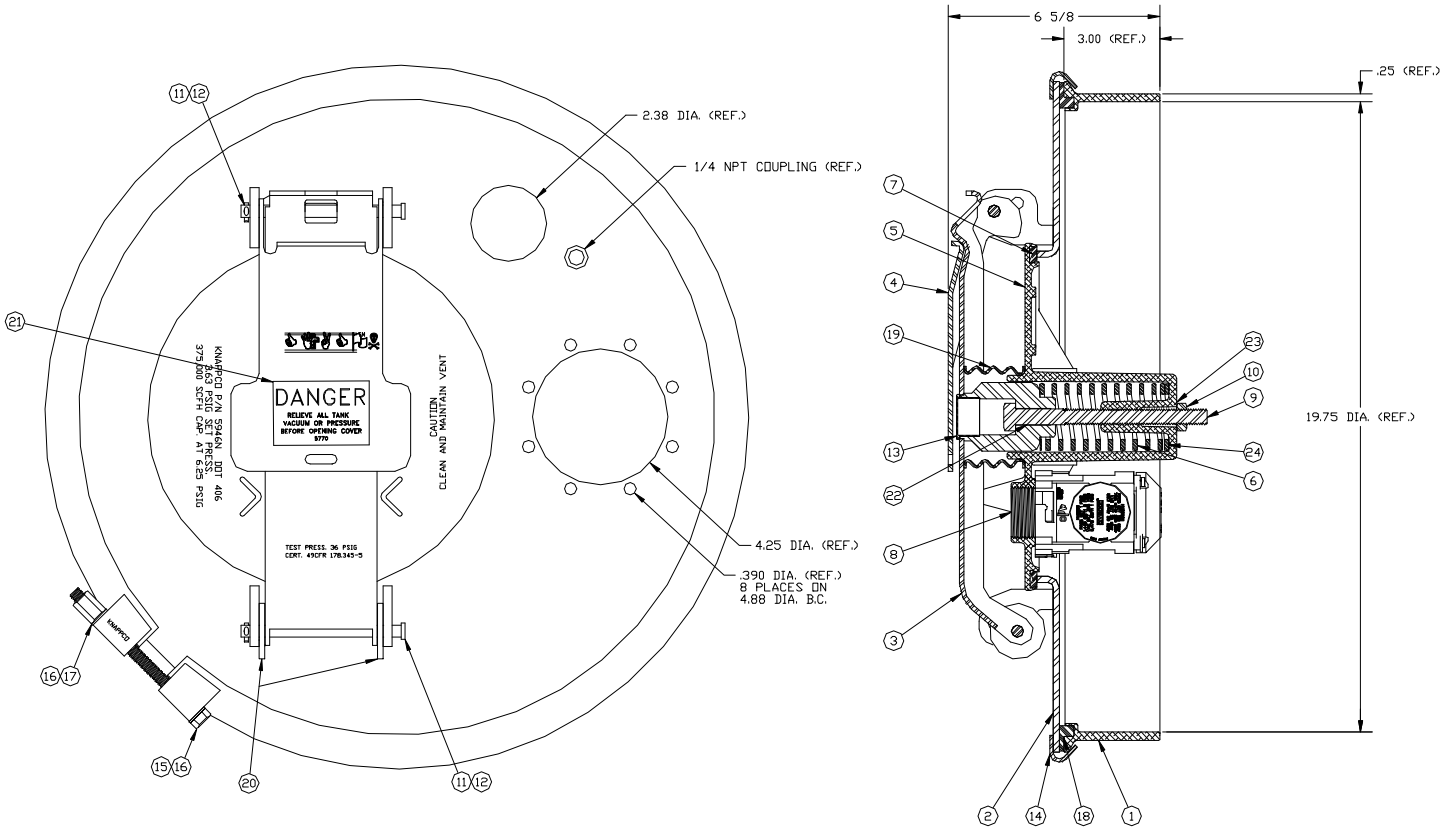




SWN101120 20" Manhole Assembly w/o Weld Ring

PARTS BREAK DOWN



ITEM	PART NUMBER	DESCRIPTION	QTY.
1	*4755 ⁴	WELD RING	1
2	6049	COVER WELDMENT	1
3	5988 ¹	STRONGBACK	1
4	6121	LATCH	1
5	5870 ¹	FILL COVER	1
6	5895 ¹	SPRING	1
7	12022 ^{1,3}	GASKET	1
8	NV3000 ¹	PRESSURE VACUUM VENT	1
9	5890 ¹	SCREW	1
10	5681 ¹	LOCK NUT	1
11	5951	CLEVIS PIN	2
12	1045	COTTER PIN	2
13	5961 ¹	PLUG	1
14	3250	CLAMP RING	1

ITEM	PART NUMBER	DESCRIPTION	QTY.
15	1110	SCREW	1
16	1113	WASHER	2
17	5009	NUT	1
18	4646 ²	GASKET	1
19	5960 ¹	BOOT	1
20	6025	WASHER	2
21	5770	DECAL	1
22	6755 ¹	BUSHING	2
23	9874 ¹	WASHER	1
24	5203 ¹	BUSHING	4

*Available with Weld Ring—P/N SWN111120

*Available with Steel Weld Ring—P/N SWN171120

REPLACEMENT FILL COVER	
5946NN	FILL COVER ASSEMBLY

1—Included in 5946N, 2—Also available in Viton—P/N 4874, 3—Also available in Viton—P/N 6263, Also available in Steel—P/N 5452