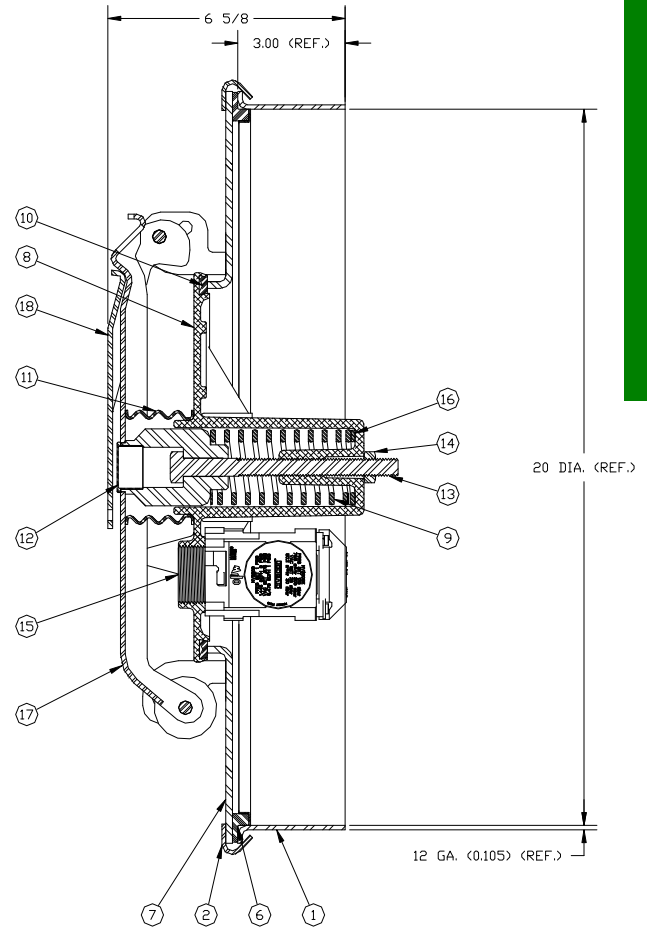
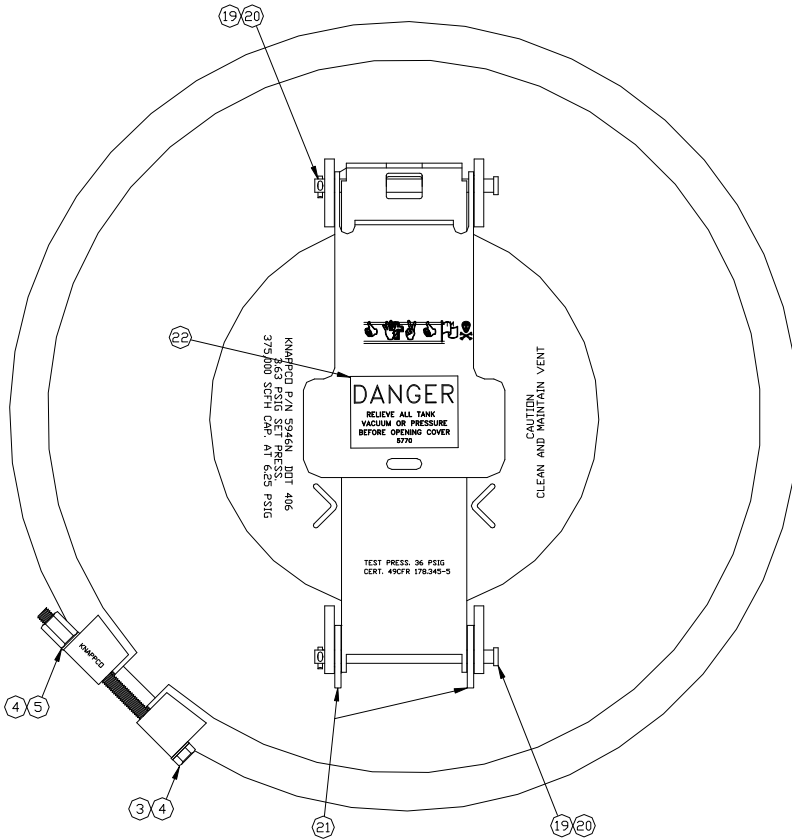




# SUN101100 20" Manhole Assembly w/o Weld Ring



PARTS BREAK DOWN

ITEM	PART NUMBER	DESCRIPTION	QTY.
1	*4755	WELD RING	1
2	3250	CLAMP RING	1
3	1110	SCREW	1
4	1113	WASHER	2
5	5009	NUT	1
6	4646 <sup>2</sup>	GASKET	1
7	6153	COVER WELDMENT	1
8	5870 <sup>1</sup>	FILL COVER	1
9	5895 <sup>1</sup>	SPRING	1
10	12022 <sup>1,3</sup>	GASKET	1
11	5960	BOOT, BUNA-N	1
12	5961	PLASTIC PLUG	1
13	5890	SCREW, 1/2-13 6"	1
14	5681	NUT, 1/2-13	1

ITEM	PART NUMBER	DESCRIPTION	QTY.
15	NV3000 <sup>1</sup>	PRESSURE VACUUM VENT	1
16	6755 <sup>1</sup>	BUSHING	2
17	5988 <sup>1</sup>	STRONGBACK	1
18	6121	LATCH	1
19	5951	CLEVIS PIN	2
20	1045	COTTER PIN	2
21	6025	WASHER	2
22	5770	DECAL	1

<sup>1</sup>Available with Weld Ring—P/N SUN111100

<sup>2</sup>Available with Steel Weld Ring—P/N SUN171100

REPLACEMENT FILL COVER	
5946NN	FILL COVER ASSEMBLY

1—Included in 5946NN, 2—Also available in Viton—P/N 4874, 3—Also available in Viton—P/N 6263, 4—Also available in Steel—P/N 5453