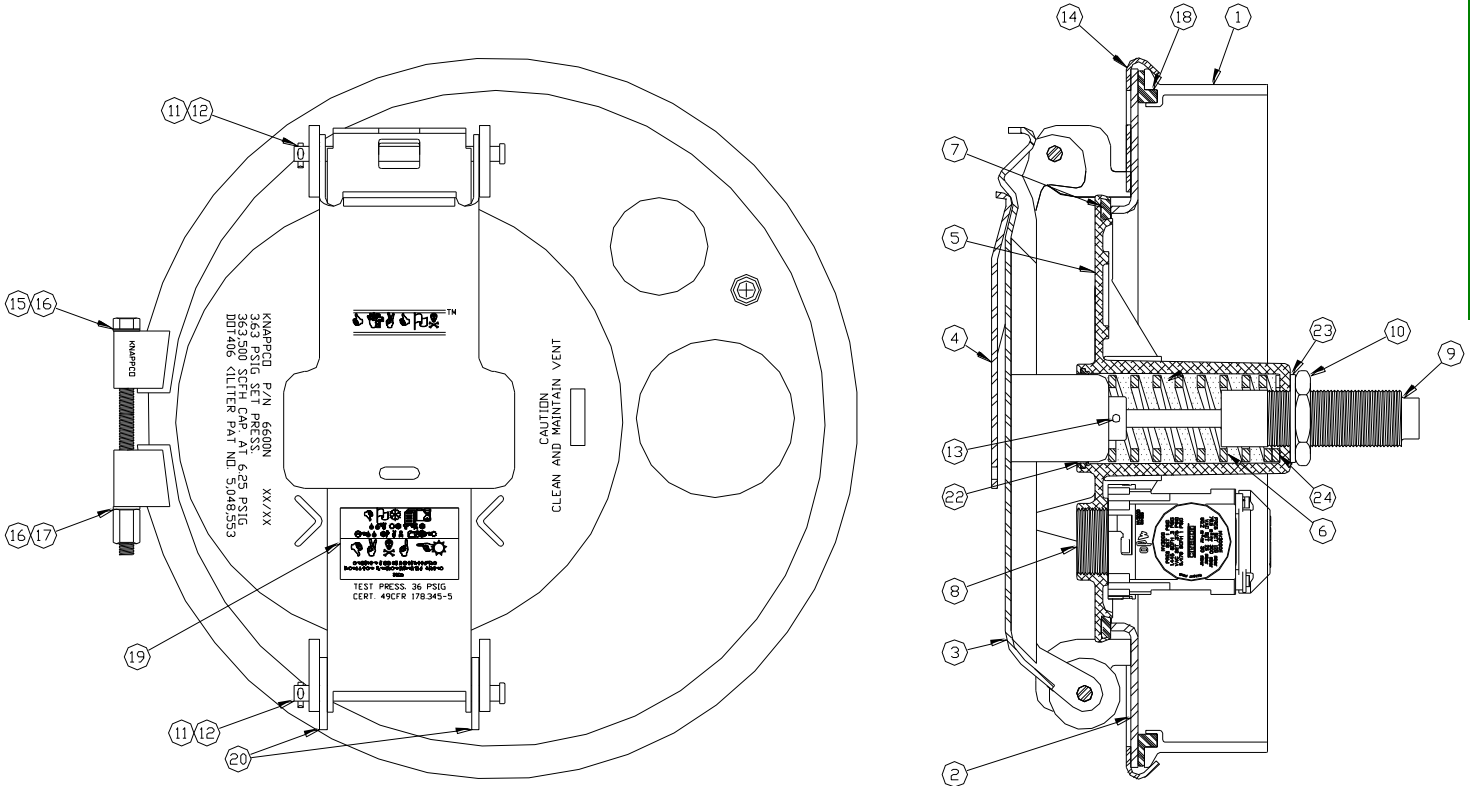




# SSVN101110 16" Manhole Assembly w/o Weld Ring

PARTS BREAK DOWN



ITEM	PART NUMBER	DESCRIPTION	QTY.
1	4754	WELD RING	1
2	6006	COVER WELDMENT	1
3	6535 <sup>1</sup>	STRONGBACK	1
4	6121	LATCH	1
5	6533 <sup>1</sup>	FILL COVER	1
6	5895 <sup>1</sup>	SPRING	1
7	12022 <sup>1,3</sup>	GASKET	1
8	NV3000 <sup>1</sup>	PRESSURE VACUUM VENT	1
9	9241 <sup>1</sup>	MOTION CONTROL DEVICE	1
10	6374 <sup>1</sup>	LOCK NUT	1
11	5951	CLEVIS PIN	2
12	1045	COTTER PIN	2
13	6534 <sup>1</sup>	DRIVE PIN	1
14	3271	CLAMP RING	1

ITEM	PART NUMBER	DESCRIPTION	QTY.
15	1110	SCREW	1
16	1113	WASHER	2
17	5009	NUT	1
18	4645 <sup>2</sup>	GASKET	1
19	6209 <sup>1</sup>	DECAL	1
20	6025	WASHER	2
22	6532 <sup>1</sup>	ROD WIPER	1
23	6375 <sup>1</sup>	SEAL WASHER	1
24	5203 <sup>1</sup>	BUSHING	4

Available without Weld Ring—P/N SSVN101110

REPLACEMENT FILL COVER	
6600N	FILL COVER ASSEMBLY

1—Included in 6600N, 2—Also available in Viton—P/N 4873, 3—Also available in Viton—P/N 6263