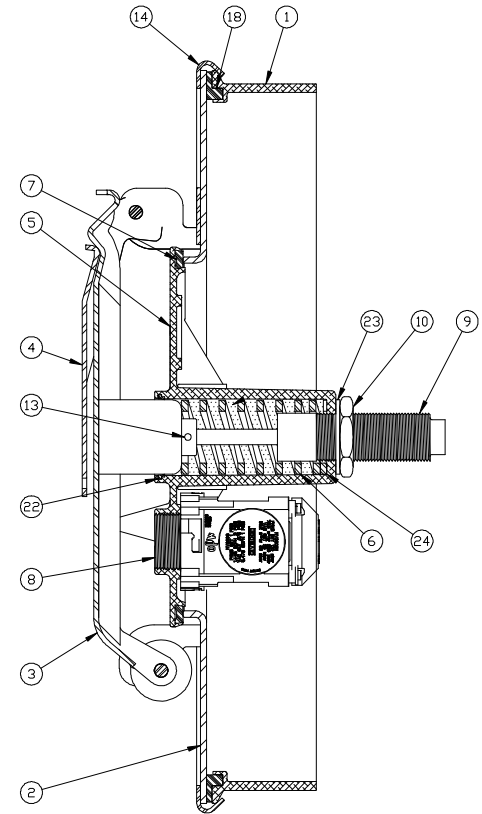
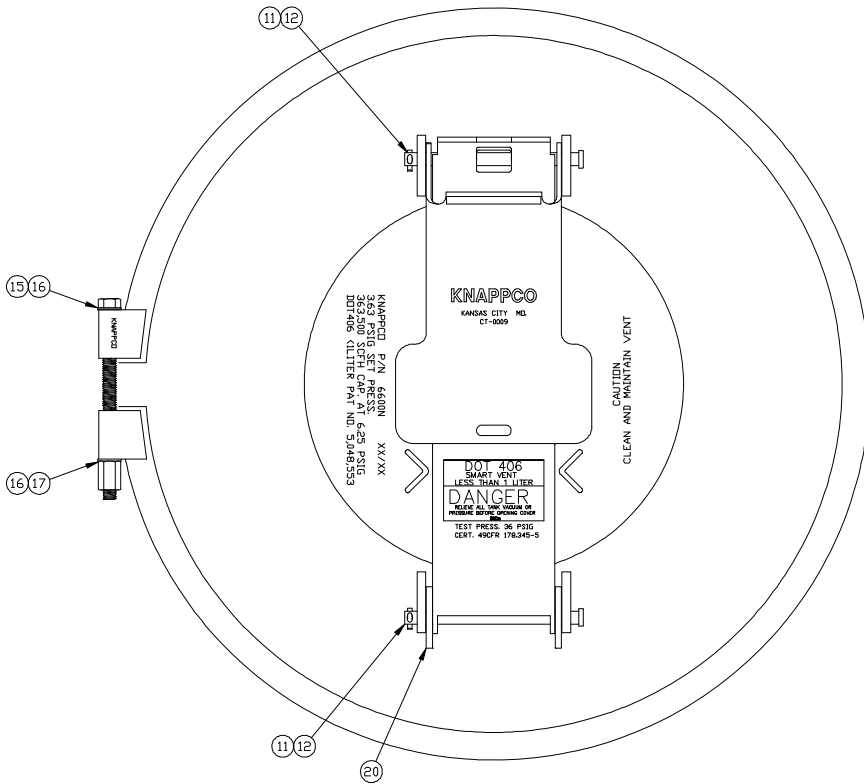




SSUN101100 20" Manhole Assembly w/o Weld Ring

PARTS BREAK DOWN



ITEM	PART NUMBER	DESCRIPTION	QTY.
1	*4755	WELD RING	1
2	6153	COVER WELDMENT	1
3	6535 ¹	STRONGBACK	1
4	6121	LATCH	1
5	6533 ¹	FILL COVER	1
6	5895 ¹	SPRING	1
7	12022 ^{1,3}	GASKET	1
8	NV3000 ¹	PRESSURE VACUUM VENT	1
9	9241 ¹	MOTION CONTROL DEVICE	1
10	6374 ¹	LOCK NUT	1
11	5951	CLEVIS PIN	2
12	1045	COTTER PIN	2
13	6534 ¹	DRIVE PIN	1
14	3250	CLAMP RING	1

ITEM	PART NUMBER	DESCRIPTION	QTY.
15	1110	SCREW	1
16	1113	WASHER	2
17	5009	NUT	1
18	4646 ²	GASKET	1
19	6209 ¹	DECAL	1
20	6025	WASHER	2
22	6532 ¹	ROD WIPER	1
23	6375 ¹	SEAL WASHER	1
24	5203 ¹	BUSHING	4

*Available with Weld Ring—P/N SSUN111100

REPLACEMENT FILL COVER	
6600N	FILL COVER ASSEMBLY

1—Included in 6600N, 2—Also available in Viton—P/N 4874, 3—Also available in Viton—P/N 6263