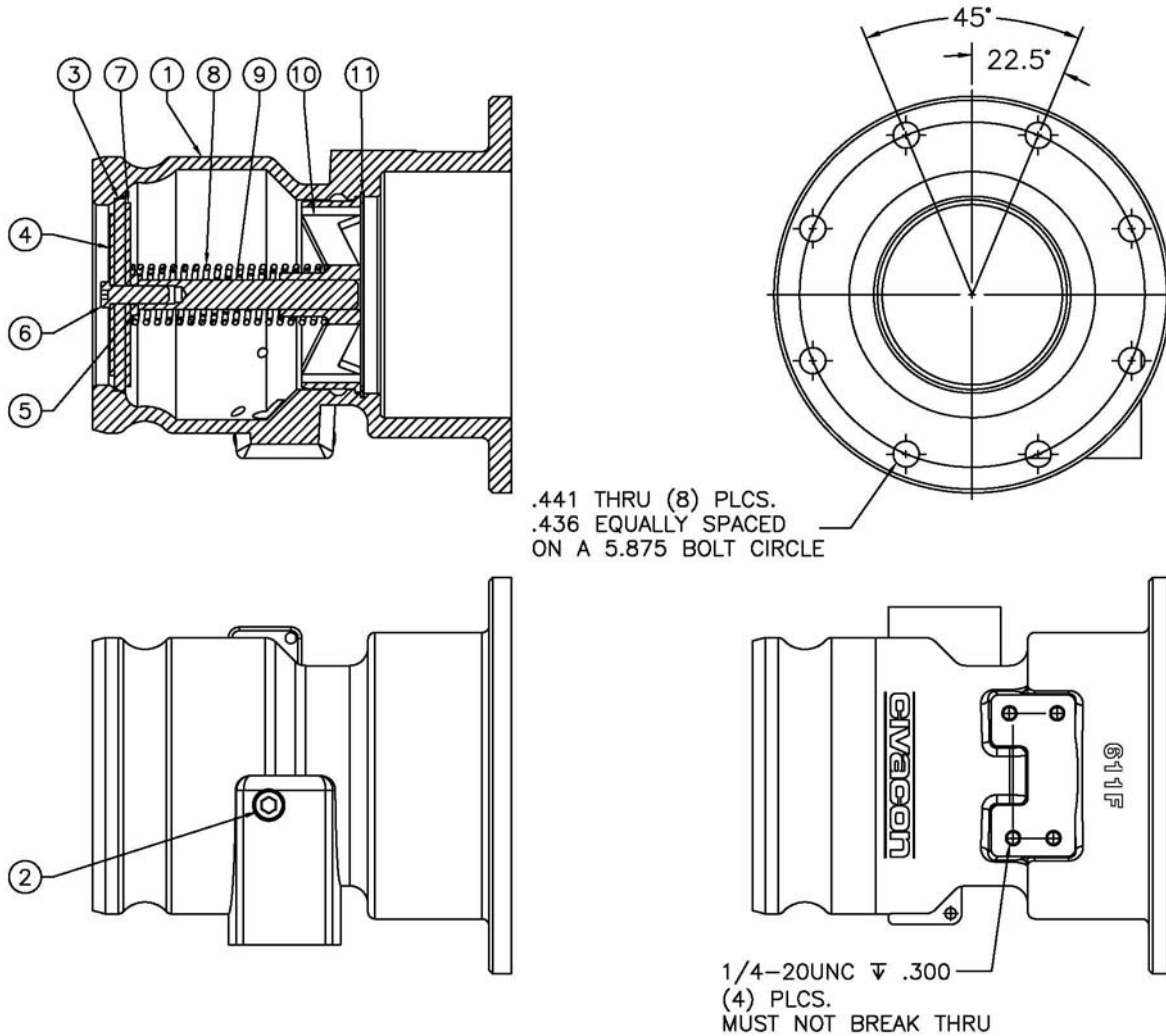




611F Vapor Recovery Adaptor, Flanged



ITEM	PART NUMBER	DESCRIPTION	QTY.
1	9951	BODY, MACHINED	1
2	10068	PLUG	1
3	H10043M ¹	GASKET	1
4	H20433M ¹	WASHER	1
5	H20235M ¹	SPACER	1
6	H20446M ¹	SCREW	1
7	H20432M ¹	WASHER	1
8	H08989M	SPRING	1

1—Included in H20695, 2—Included in 891BRK

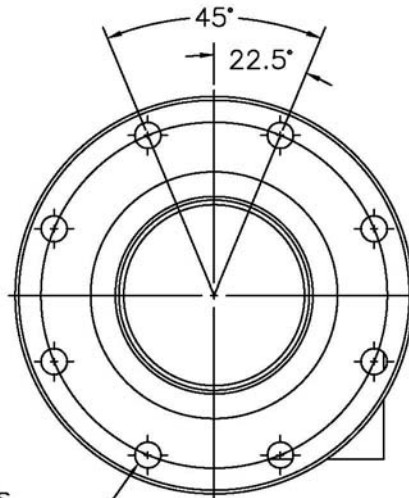
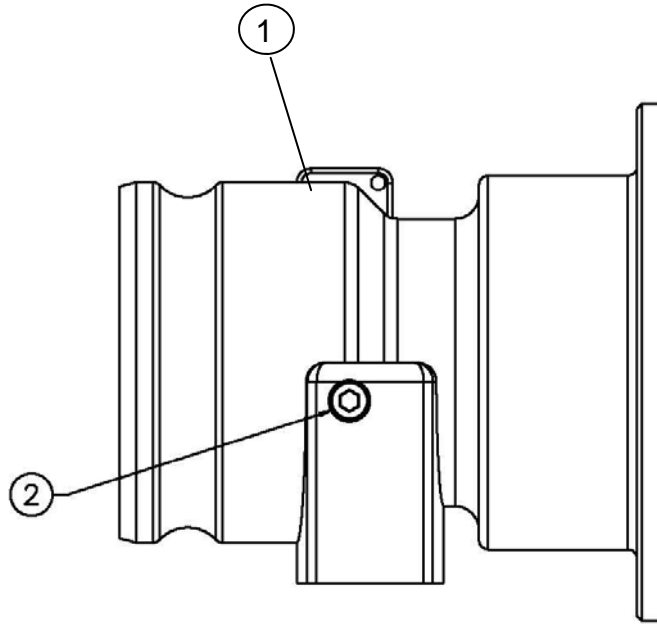
ITEM	PART NUMBER	DESCRIPTION	QTY.
9	H20389RE ¹	STEM	1
10	C02642M	BRIDGE GUIDE	1
11	H08607M	RETAINING RING	1

610F ALSO AVAILABLE WITHOUT POPPET

REPAIR KITS	
H20695	POPPET ASSEMBLY
891BRK	SIGHT GLASS REPAIR KIT



610F Vapor Recovery Adaptor, Flanged



.441 THRU (8) PLCS.
.436 EQUALLY SPACED
ON A 5.875 BOLT CIRCLE

ITEM	PART NUMBER	DESCRIPTION	QTY.
1	9951	BODY, MACHINED	1
2	10068	PLUG	1