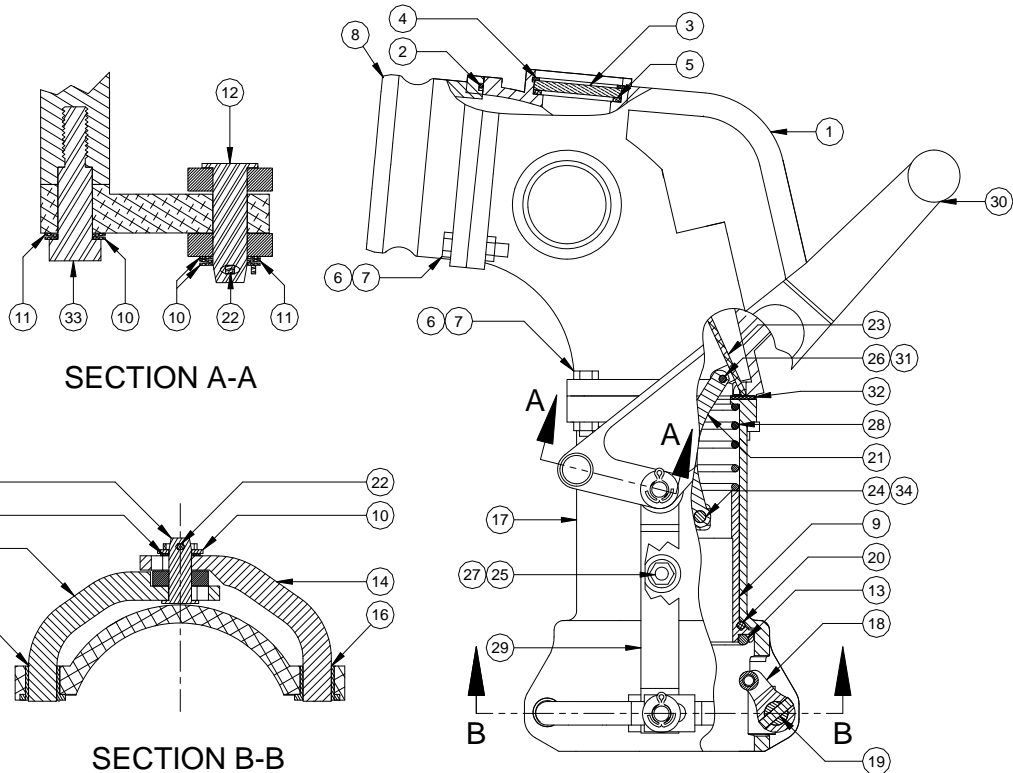




70TT 4" Shut Off Delivery Elbow

PARTS BREAK DOWN



ITEM	PART NUMBER	DESCRIPTION	QTY.
1	E10235A ¹	UPPER BODY	1
2	H52373M ¹	O-RING BUNA	1
3	H20583M ^{1,3}	SIGHT GLASS	3
4	H20644M ^{1,3}	RETAINING RING	3
5	H20010M ^{1,3}	GASKET (BUNA)	3
6	H06151M ¹	HEX NUT	8
7	H03114M ¹	SCREW (HEX CAP)	8
8	D10231A ¹	ADAPTOR (MALE)	1
9	D10257AH	SLEEVE	1
10	H03866M	WASHER (FLAT)	6
11	H10088M	WASHER (SPRING)	4
12	H20373M	PIN	2
13	H20735M	O-RING (BUNA)	1
14	C10144M	DRIVE STEM (OUTER)	1
15	C10143M	DRIVE STEM (INNER)	1
16	H10090M	FLANGE BEARING	4
17	E10240A	LOWER BODY	1
18	H20495M	YOKE ASSEMBLY	2
19	H20476M	PIN	2

ITEM	PART NUMBER	DESCRIPTION	QTY.
20	H20842M ²	O-RING (BUNA)	1
21	H20640M ²	LINKAGE	1
22	H51787M	COTTER PIN	2
23	C10233M ²	FLAP	1
24	H20641M ²	ROD	1
25	H20518M	HEX SCREW	1
26	H20704M ²	CLEVIS PIN	1
27	H20074M	SEAL WASHER	1
28	H20647M	SPRING	1
29	C10146M	LINKAGE	1
30	C10125M	HANDLE	1
31	H04981M ²	COTTER PIN	1
32	H20638M ²	GASKET (BUNA)	1
33	H51427M	SCREW (SHOULDER)	1
34	H51786M ²	E-RING	2
REPAIR KITS			
E10235		UPPER BODY SUBASSEMBLY	
70TTRK		FLAP ASSEMBLY REPL. KIT	
70SGK		SIGHT GLASS REPAIR KIT	

1-included in E10235, 2-included in 70TTRK, 3- included in 70SGK