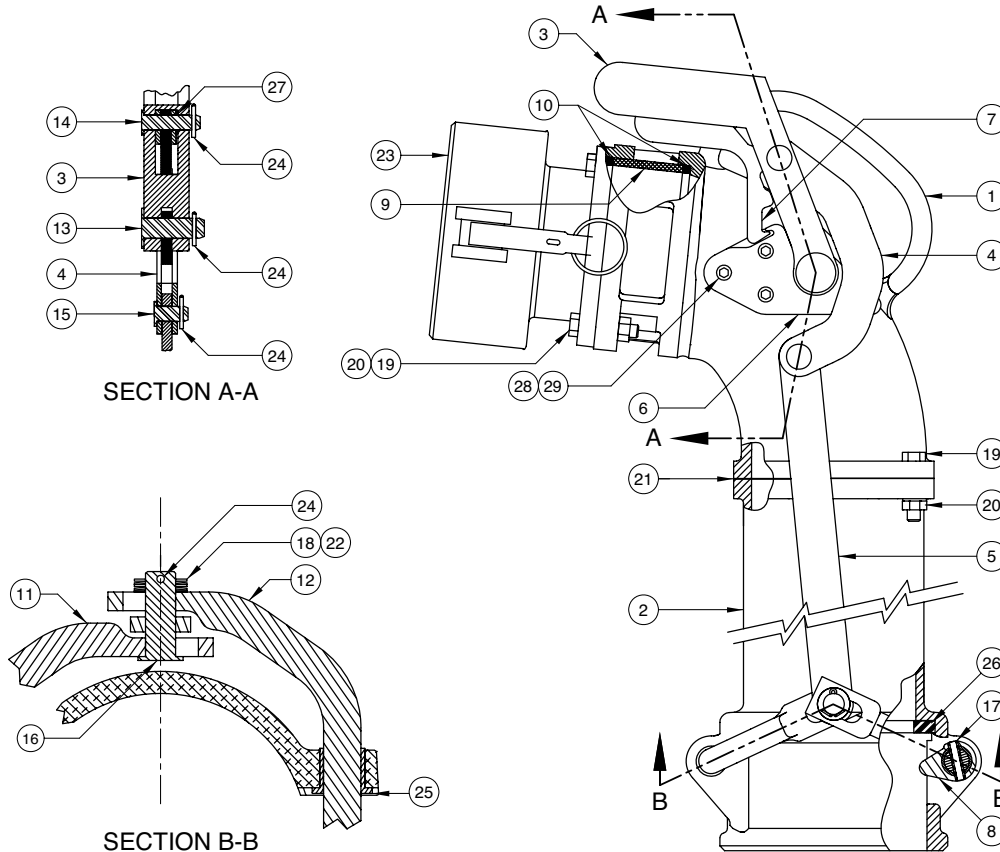




65TTTFC 4" Product Delivery Elbow

Replacement Parts

Rev. 0, January 2003



| ITEM | PART NUMBER | DESCRIPTION | QTY. |
|------|-------------|------------------------------------|------|
| 1 | E52358A | UPPER BODY | 1 |
| 2 | 9675 | LOWER BODY | 1 |
| 3 | E52360A | HANDLE ² | 1 |
| 4 | E52361M | UPPER LINK ⁵ | 1 |
| 5 | 9745 | LOWER LINK ⁵ | 1 |
| 6 | D52363M | HANDLE BRACKET ⁴ | 1 |
| 7 | D52364M | LATCH ² | 1 |
| 8 | C52365B | CAM ³ | 2 |
| 9 | C52372M | SIGHT GLASS ¹ | 1 |
| 10 | H52373M | GASKET (BUNA) ^{1,6} | 2 |
| 11 | D52374M | DRIVE STEM (LEFT) ⁷ | 1 |
| 12 | D52375M | DRIVE STEM (RIGHT) ⁷ | 1 |
| 13 | H52380M | PIN (HANDLE) ² | 1 |
| 14 | H52381M | PIN (LATCH) ^{2,5} | 1 |
| 15 | H52382M | PIN (UPPER LINKAGE) ⁵ | 1 |
| 16 | H20373M | PIN (LOWER LINKAGE) ^{5,7} | 1 |
| 17 | H20476M | SPRING PIN ³ | 4 |
| 18 | H03866M | WASHER (7/16") ^{5,7} | 6 |
| 19 | H03114M | SCREW (HEX CAP) ^{1,6} | 8 |
| 20 | H06151M | HEX NUT ^{1,6} | 8 |

| ITEM | PART NUMBER | DESCRIPTION | QTY. |
|------|-------------|--------------------------------------|------|
| 21 | H10039M | GASKET (NEOPRENE FIBER) | 1 |
| 22 | H10088M | WASHER (SPRING) ^{5,7} | 3 |
| 23 | 9868 | ADAPTOR (KAMLOK FEMALE) ⁶ | 1 |
| 24 | H51787M | COTTER PIN ^{2,5,7} | 4 |
| 25 | H10090M | FLANGE BEARING ⁷ | 4 |
| 26 | H04137M | SEAT RING (BUNA) | 1 |
| 27 | 4345 | WASHER (3/8") ^{2,5} | 1 |
| 28 | H52071M | WASHER (1/4") ⁴ | 3 |
| 29 | 9163 | SCREW (SOCKET) ⁴ | 3 |

| REPAIR KITS | | |
|-------------|-----------------------------|------|
| PART NUMBER | DESCRIPTION | QTY. |
| 65SGK | SIGHT GLASS REPLACEMENT KIT | N/A |
| 65HRK | HANDLE REPLACEMENT KIT | N/A |
| 65CRK | CAM REPLACEMENT KIT | N/A |
| 65HBK | HANDLE BRKT REPLACEMENT KIT | N/A |
| 65LTK | LINKAGE REPLACEMENT KIT | N/A |
| 65AKK | ADAPTOR REPLACEMENT KIT | N/A |
| 65DSK | DRIVE STEM REPLACEMENT KIT | N/A |

1 - Included in 65SGK, 2 - Included in 65HRK, 3 - Included in 65CRK, 4 - Included in 65HBK
5 - Included in 65LTK, 6 - Included in 65AKK, 7 - Included in 65DSK