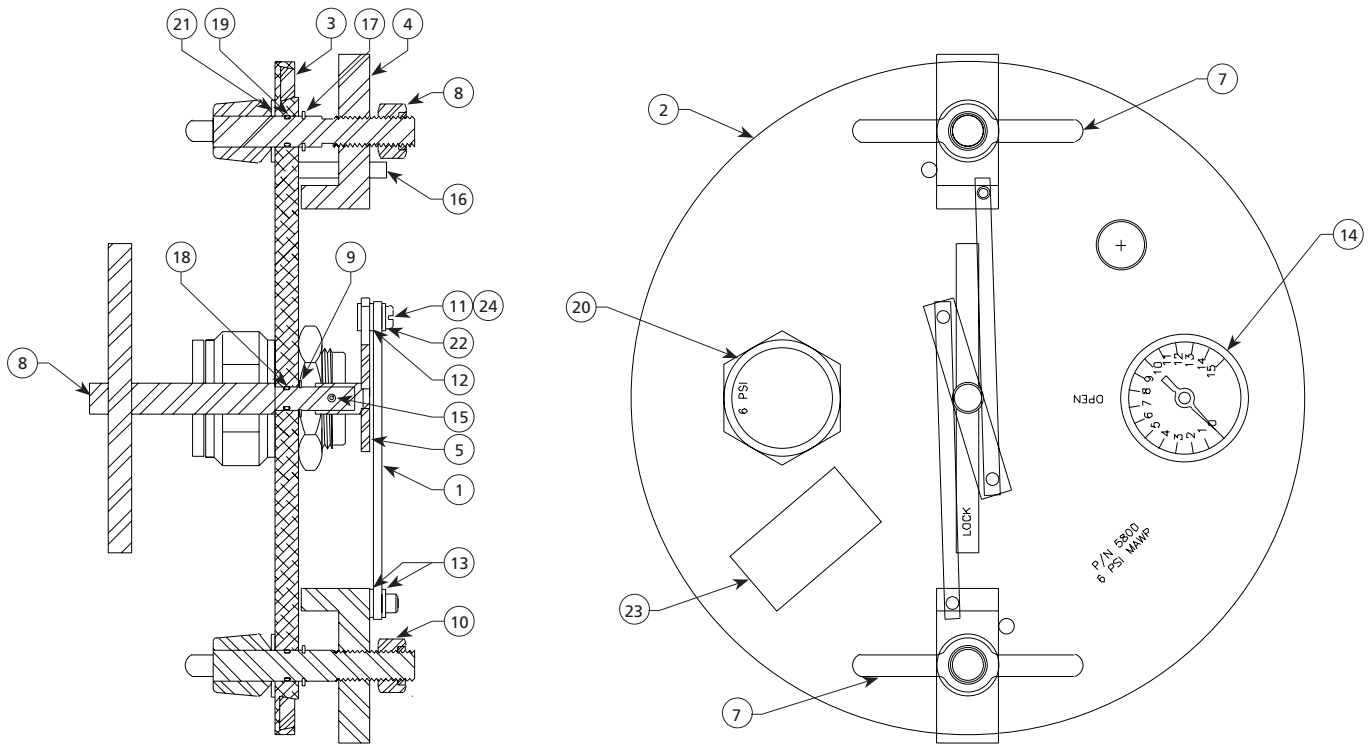


5800 - 10" PAF Manhole Test Plate

01-08-005RP



ITEM	PART NUMBER	DESCRIPTION	QTY
1	5805	Linkage Arm	2
2	5810	Fill Cover	1
3	12022	Gasket, Buna-N	1
4	5814	Clamp Bracket	2
5	5815	Center Linkage	1
6	5819	Handle Assembly	1
7	O-5820	Wing Nut Assemble	2
8	5681	Nut, Nylock	2
9	4094	Retainer Clip	1
10	5821	Shoulder Screw	2
11	5822	Standoff	2
12	5823	Washer, Nylon	4

ITEM	PART NUMBER	DESCRIPTION	QTY
13	1328	Washer, Nylon	4
14	5824	0-15 PSI Pressure Gauge	1
15	5825	Roll Pin	1
16	5826	Dowel Pin	2
17	5827	Retainer "E" Clip	2
18	2-3-ORING	O-Ring, Buna-N	1
19	5829	O-Ring, Buna-N	2
20	VE0047-6	Vent Assembly, 6 PSI	1
21	1043	Washer, Flat	2
22	5900	Washer, 1/4"	2
23	5195	Decal, Danger	1
24	5901	Screw, 6-32 x 3/8"	2



www.civacon.com ◆ 9393 Princeton-Glendale Road ◆ Hamilton, Ohio, USA 45011 ◆ Phone: (800) 560-6601

NOTE: All information subject to engineering and/or other changes. All trade names are copyrighted. Patents Pending. ©2018 Civacon. ©2018 Delaware Capital Formation, Inc. All Rights Reserved. DOVER and the DOVER logo are registered trademarks of Delaware Capital Formation, Inc., a wholly-owned subsidiary of Dover Corporation.

Aug 2022 RevA

DEFINING | WHAT'S NEXT