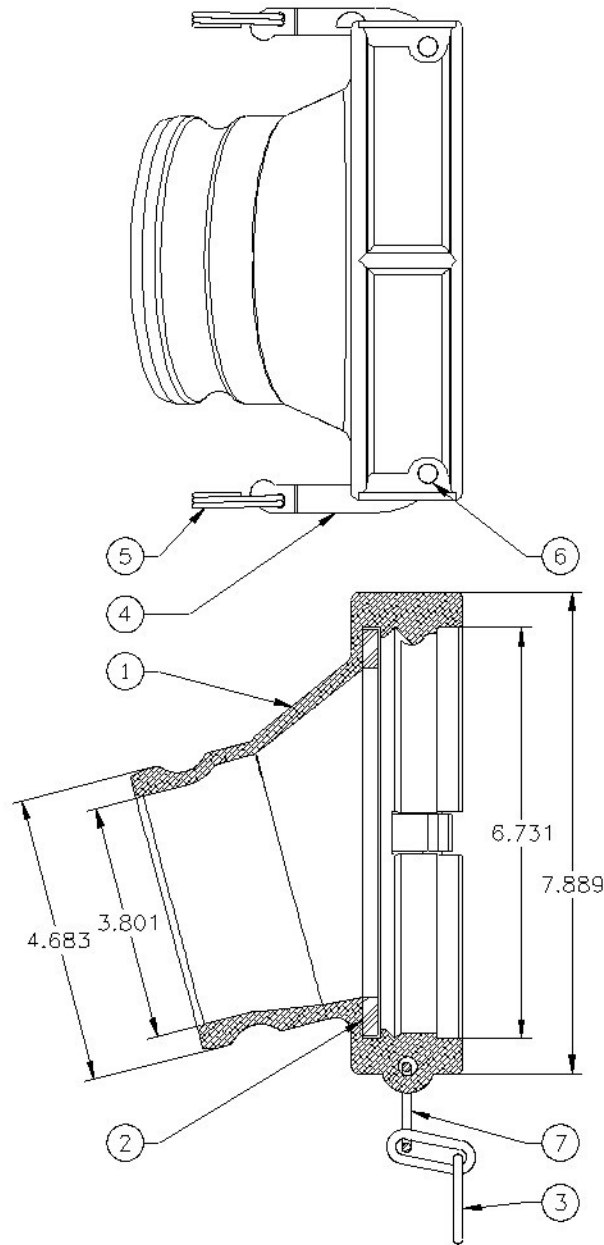


# 871A-AL40 4" Gravity Coupler

01-02-001RP



ITEM	PART NUMBER	DESCRIPTION	QTY
1	E00221A	BODY, MACHINED	1
2	H08347M	GASKET, BUNA-N	1
2	H20462M	GASKET, VITON	1
3	H20325M	CHAIN	1
4	12629 <sup>1</sup>	CAM ARM	2
5	H20050M <sup>1</sup>	FINGER RING	2

ITEM	PART NUMBER	DESCRIPTION	QTY
6	H20144M <sup>1</sup>	GROOVE PIN	2
7	H08328M	CONNECTOR RING	1

REPAIR KITS	
871-ARM KIT	CAM LEVER REPAIR KIT

1 - Included in 871-ARM KIT



www.civacon.com ◆ 9393 Princeton-Glendale Road ◆ Hamilton, Ohio, USA 45011 ◆ Phone: (800) 422-2525 ◆ Fax: (800) 421-3297

NOTE: All information subject to engineering and/or other changes. All trade names are copyrighted. Patents Pending. ©2018 Civacon. ©2018 Delaware Capital Formation, Inc. All Rights Reserved. DOVER and the DOVER logo are registered trademarks of Delaware Capital Formation, Inc., a wholly-owned subsidiary of Dover Corporation.

Rev D Apr 2020

DEFINING | WHAT'S NEXT