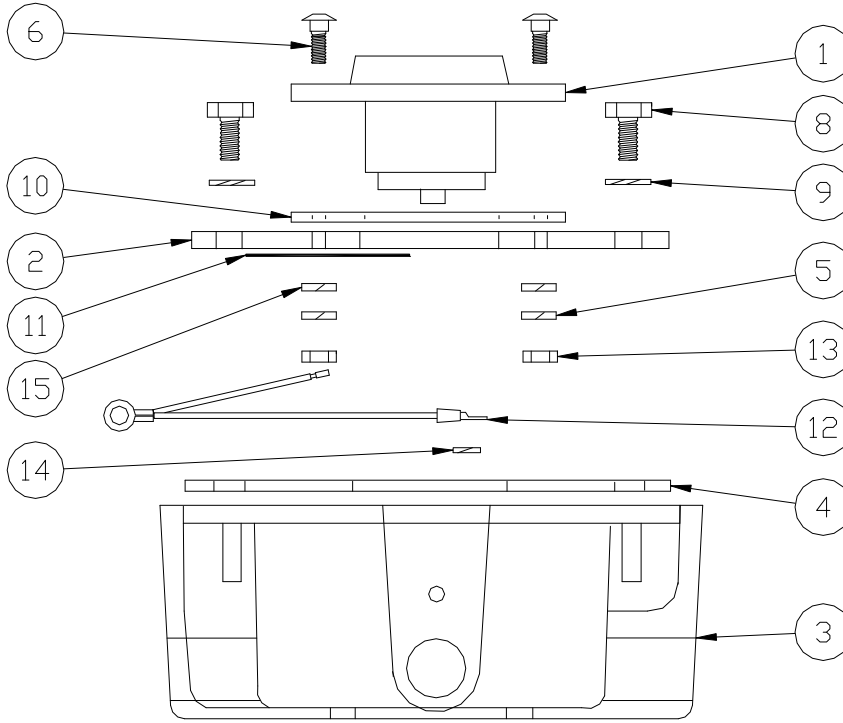
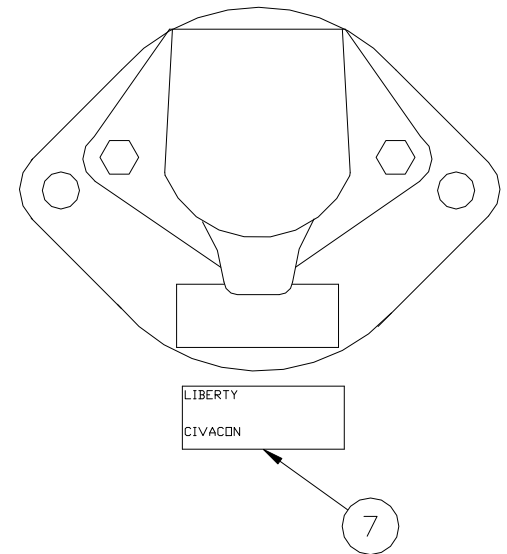




## 4600-4600 Socket, J560 Pattern for Float Output



SOCKET PLATE  
TOP VIEW  
FOR REF. ONLY



ITEM	PART NUMBER	DESCRIPTION	QTY.
1	H50045M	SOCKET, 7 WAY	1
2	H50044M	PLATE, J560 ADAPTOR	1
3	D40100A	BODY	1
4	H50064M	GASKET	1
5	H52413M	WASHER, 1/4"	2
6	H52414M	SCREW, 5/16-18 1"	2
7	H50150M	NAME PLATE	1
8	H50108M	SCREW, 5/16-18 3/4"	2

ITEM	PART NUMBER	DESCRIPTION	QTY.
9	H50250M	WASHER, 5/16 SS	2
10	H50240M	GASKET	1
11	C51503M	LABEL, TECH ASSISTANCE	1
12	H50618M	GROUND WIRE	1
13	H52415M	NUT, 5/16-18	2
14	H50100M	WASHER, #6 SS	1
15	H50088M	O-RING, BUNA-N	2