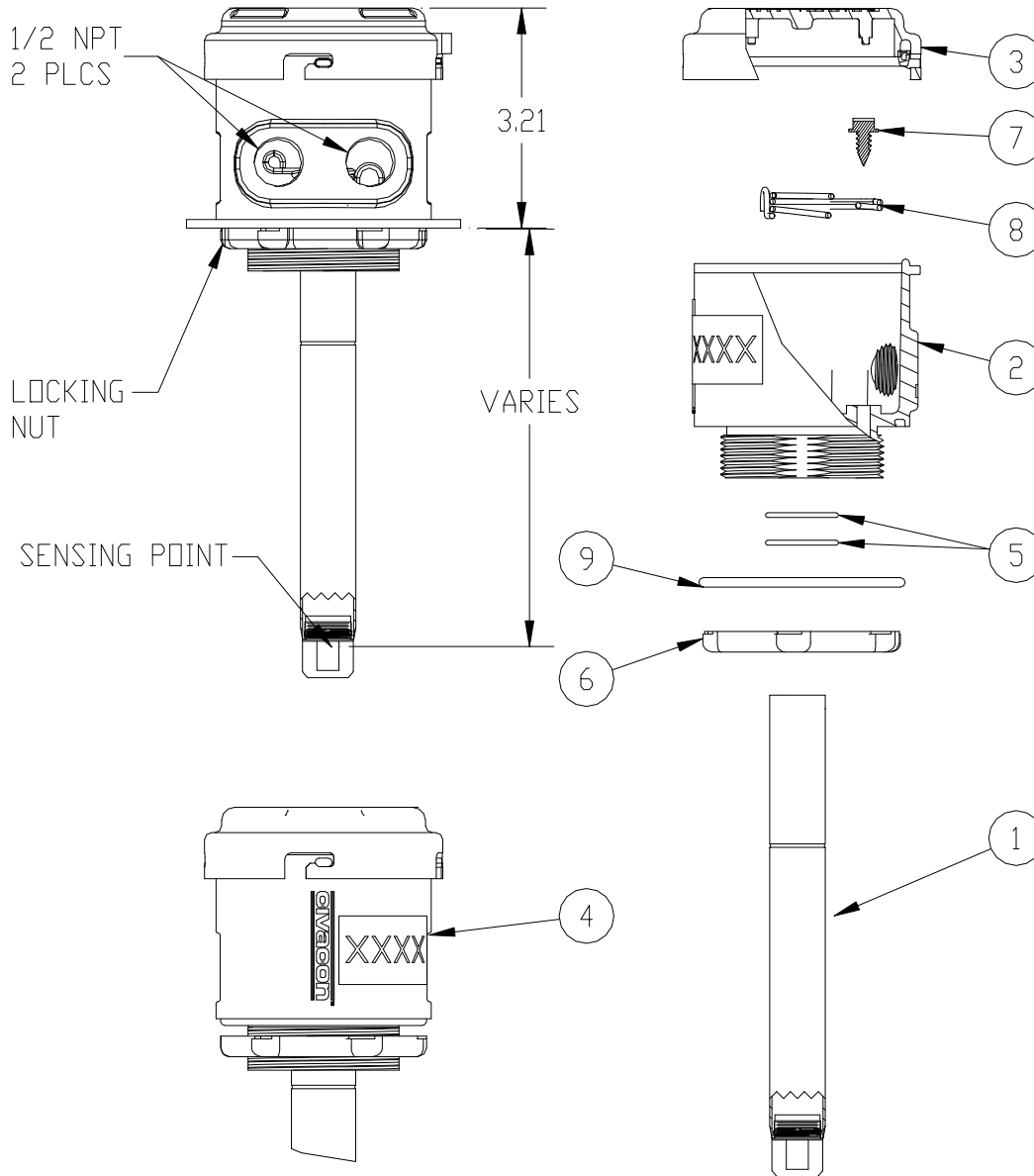




1051 Series Optic Sensor (2-Wire ROM)



PARTS BREAK DOWN

| ITEM | PART NUMBER | DESCRIPTION | QTY. |
|------|--------------|----------------------|------|
| 1 | 1351-XXXB | OPTIC OVERFILL PROBE | 1 |
| 2 | H52931 | HOUSING BODY | 1 |
| 3 | H52936M | CAP W/ U-CUP SEAL | 1 |
| 4 | H52301M-1110 | LABEL | 1 |
| 5 | H52842M | O-RING, BUNA-N | 2 |
| 6 | H52477M | LOCK NUT | 1 |
| 7 | H52898M | SCREW | 1 |

| ITEM | PART NUMBER | DESCRIPTION | QTY. |
|------|-------------|---------------|------|
| 8 | H52845M | SPRING | 1 |
| 9 | H52844M | O-RING, VITON | 1 |

** H50070M PIPE PLUG KIT (not shown)

| REPAIR KITS | |
|-------------|---------------------|
| 1455-1455 | Probe Housing & Cap |

** ALL ITEMS INCLUDED IN 1455-1455 EXCEPT ITEM 1 & 4