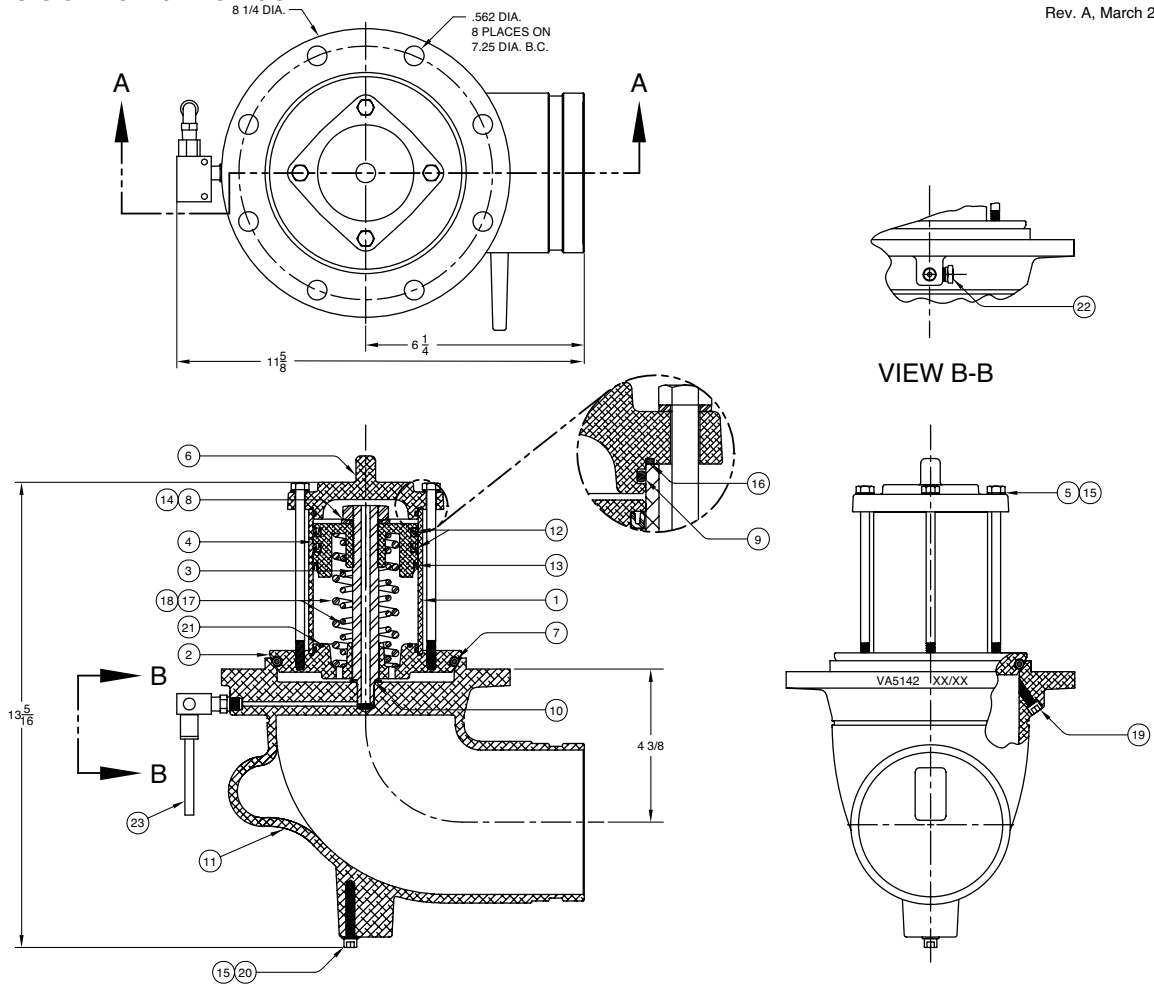




# VA5142 5" X 4" Emergency Valve

## Replacement Parts

Rev. A, March 2006



SECTION A-A

ITEM	PART NUMBER	DESCRIPTION	QTY.
1	6950	CYLINDER BODY	1
2	6951	CYLINDER DISK	1
3	6953	STEM	1
4	6954	PISTON	1
5	6956	HEX CAP SCREW	4
6	6957	CAP	1
7	6959	O-RING (TEF-O-SIL)	1
8	6960	SEAL WASHER <sup>1</sup>	1
9	6961	O-RING, CAP, SIDE SEAL <sup>1</sup>	2
10	6962	SEAL WASHER <sup>1</sup>	1
11	6963	VALVE BODY	1
12	5865	U-CUP SEAL <sup>1</sup>	2

ITEM	PART NUMBER	DESCRIPTION	QTY.
13	6966	U-CUP SEAL <sup>1</sup>	1
14	5687	HEX JAM NUT	1
15	H50086M	LOCK WASHER	5
16	6964	O-RING <sup>1</sup>	2
17	6233	SPRING (INNER)	1
18	6234	SPRING (OUTER)	1
19	6965	SEAL SCREW	1
20	6967	SCREW	1
21	6969	O-RING (VITON) <sup>1</sup>	1
22	5047	FUSIBLE PLUG	1
23	9811	QUICK EXHAUST ASSEMBLY	1

REPAIR KIT		
PART NUMBER	DESCRIPTION	QTY.
10002	CYLINDER REPAIR KIT	N/A

<sup>1</sup> - Included in 10002