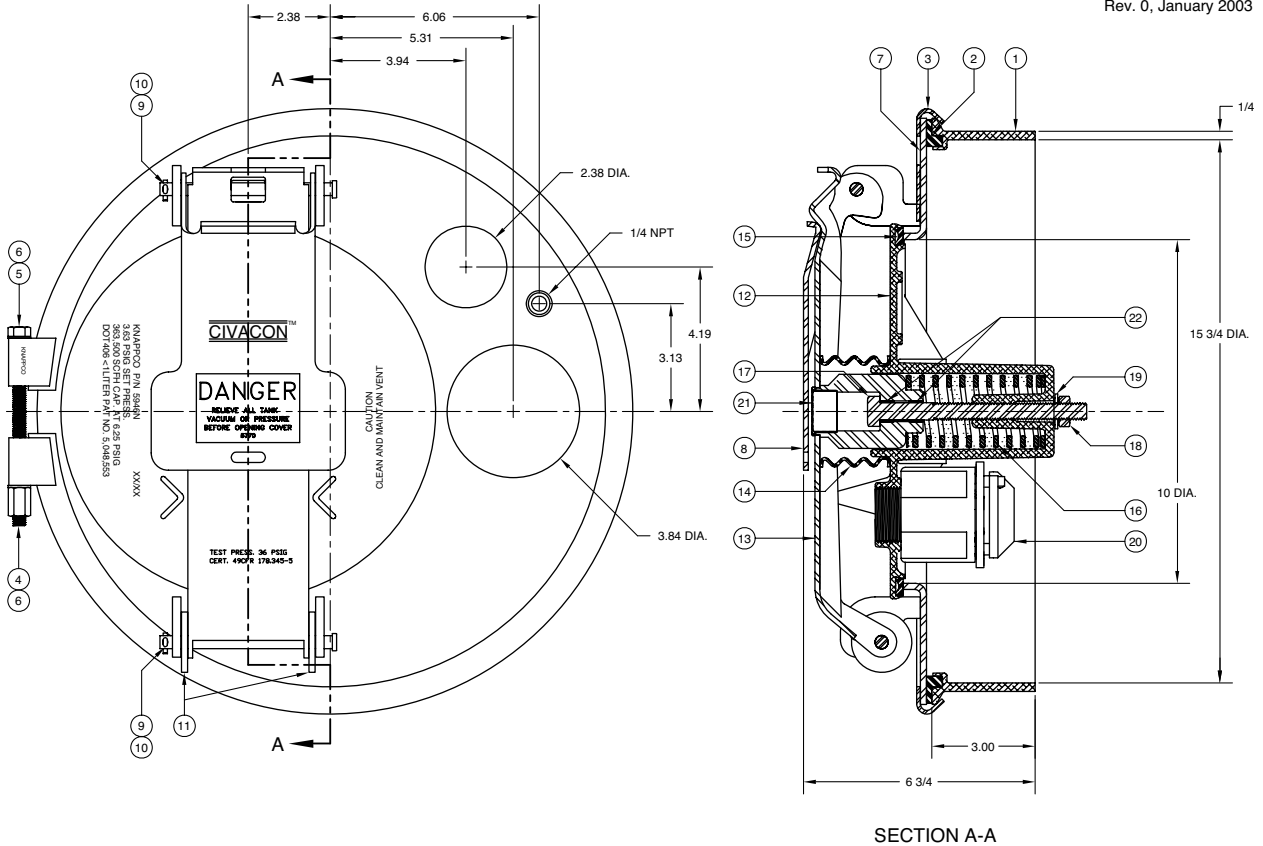




SV111110 16" Manhole Assembly

Replacement Parts

Rev. 0, January 2003



ITEM	PART NUMBER	DESCRIPTION	QTY.
1	4754	WELD RING	1
2	4645	GASKET (BUNA, WELD RING) ²	1
3	3271	CLAMP RING	1
4	5009	NUT (HEX HEAD)	1
5	1110	SCREW (HEX HEAD)	1
6	1113	WASHER	2
7	6006	COVER WELDMENT	1
8	6121	LATCH	1
9	5951	CLEVIS PIN	2
10	1045	COTTER PIN	2
11	6025	WASHER	2

ITEM	PART NUMBER	DESCRIPTION	QTY.
12	5870	FILL COVER ¹	1
13	5988	STRONGBACK WELDMENT ¹	1
14	5960	BOOT ¹	1
15	6252	GASKET (BUNA, FILL COVER) ^{1,3}	1
16	5895	SPRING ¹	1
17	5890	SCREW (HEX HEAD) ¹	1
18	5681	NUT (HEX SEAL) ¹	1
19	9874	SEAL WASHER ¹	1
20	NV2001	VENT ASSEMBLY ¹	1
21	5961	PLUG (PLASTIC) ¹	1
22	6755	BUSHING ¹	2

1 - Included in P/N 5946N - Fill Cover Assembly
2 - Also available in Viton - P/N 4873, 3 - Also available in Viton - P/N 6263