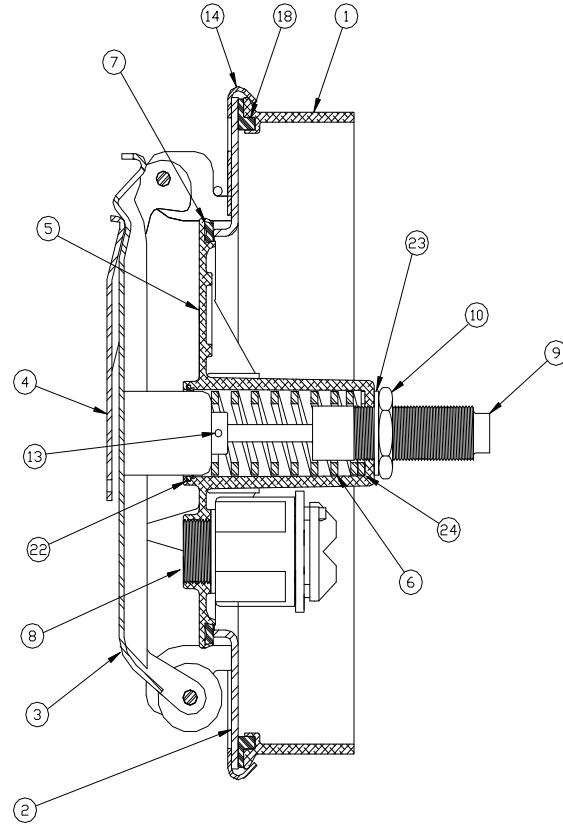
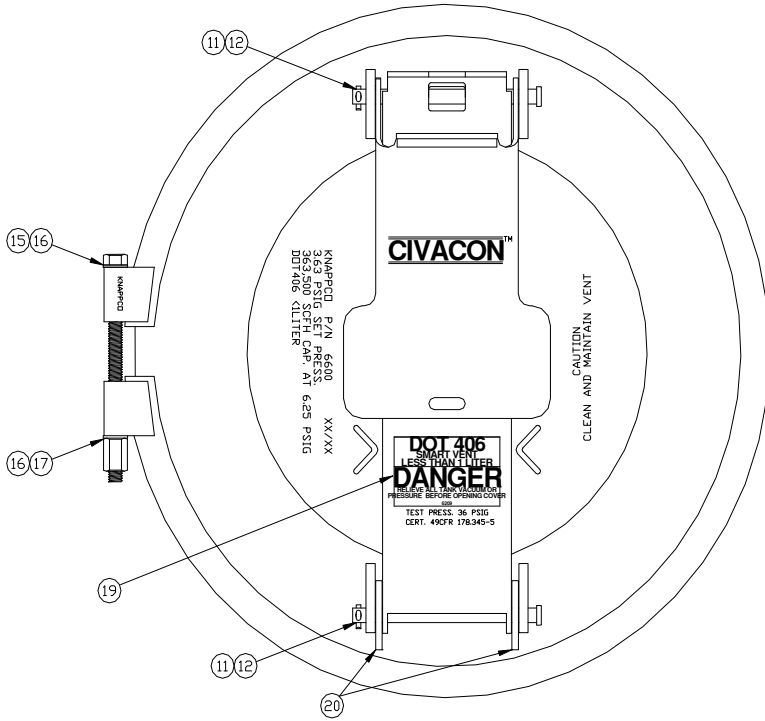




# SST11100 16" Manhole Assembly

**OBSOLETE**  
**REPLACEMENT PARTS AVAILABLE**



**PARTS BREAK DOWN**

| ITEM | PART NUMBER          | DESCRIPTION           | QTY. |
|------|----------------------|-----------------------|------|
| 1    | 4754                 | WELD RING             | 1    |
| 2    | 6151                 | COVER WELDMENT        | 1    |
| 3    | 6535 <sup>1</sup>    | STRONGBACK            | 1    |
| 4    | 6121                 | LATCH                 | 1    |
| 5    | 6533 <sup>1</sup>    | FILL COVER            | 1    |
| 6    | 5895 <sup>1</sup>    | SPRING                | 1    |
| 7    | 12022 <sup>1,3</sup> | GASKET                | 1    |
| 8    | NV2001 <sup>1</sup>  | PRESSURE VACUUM VENT  | 1    |
| 9    | 9241 <sup>1</sup>    | MOTION CONTROL DEVICE | 1    |
| 10   | 6374 <sup>1</sup>    | LOCK NUT              | 1    |
| 11   | 5951                 | CLEVIS PIN            | 2    |
| 12   | 1045                 | COTTER PIN            | 2    |
| 13   | 6534 <sup>1</sup>    | DRIVE PIN             | 1    |
| 14   | 3271                 | CLAMP RING            | 1    |

| ITEM | PART NUMBER       | DESCRIPTION | QTY. |
|------|-------------------|-------------|------|
| 15   | 1110              | SCREW       | 1    |
| 16   | 1113              | WASHER      | 2    |
| 17   | 5009              | NUT         | 1    |
| 18   | 4645 <sup>2</sup> | GASKET      | 1    |
| 19   | 6209 <sup>1</sup> | DECAL       | 1    |
| 20   | 6025              | WASHER      | 2    |
| 22   | 6532 <sup>1</sup> | ROD WIPER   | 1    |
| 23   | 6375 <sup>1</sup> | SEAL WASHER | 1    |
| 24   | 5203 <sup>1</sup> | BUSHING     | 4    |

Available without Weld Ring—P/N SST101100

| REPLACEMENT FILL COVER |                     |
|------------------------|---------------------|
| 6600                   | FILL COVER ASSEMBLY |

1—Included in 6600, 2—Also available in Viton—P/N 4873, 3—Also available in Viton—P/N 6263