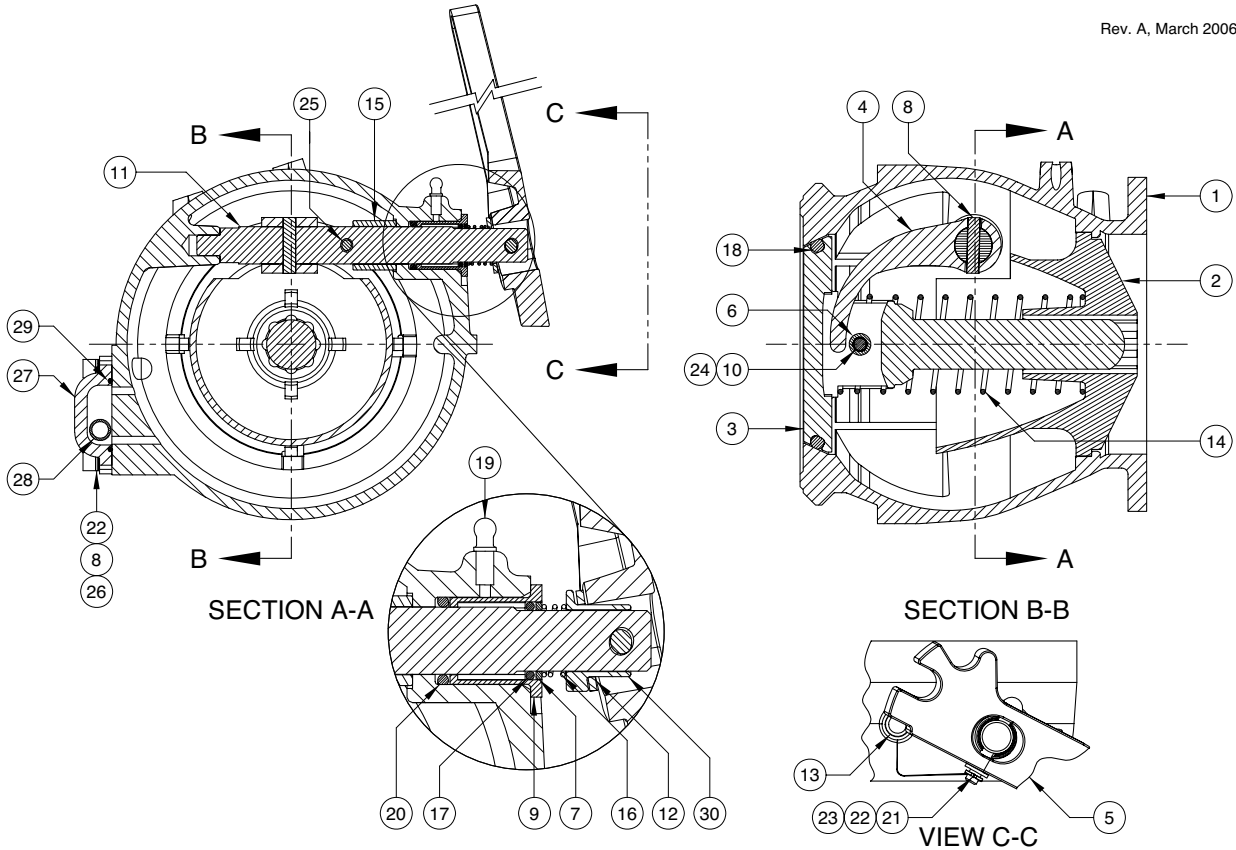




897BA Bottom Loading Adaptor

Replacement Parts

Rev. A, March 2006



ITEM	PART NUMBER	DESCRIPTION	QTY.
1	E51483A	BODY	1
2	E51507M	DEFLECTOR	1
3	E10004A	POPPET	1
4	C10008EW	CAM	1
5	D51940M	HANDLE (ALUMINUM) ³	1
6	H20052M	ROLLER	1
7	H20199M	WASHER ³	1
8	H20057M	LOCK WASHER ²	4
9	H20048M	BEARING ³	1
10	H20078M	ROLLER BEARING	1
11	H20050RE	SHAFT	1
12	10840	WASHER ²	1
13	H20051M	STOP PIN	1
14	H20178M	SPRING (POPPET)	1
15	H20203M	SPACER	1
16	H20182M	SPRING (HANDLE) ³	1
17	H06924M	O-RING (OUTER SHAFT, BUNA) ^{1,3}	1
18	H20058M	O-RING (POPPET, VITON) ¹	1

ITEM	PART NUMBER	DESCRIPTION	QTY.
19	H20285M	GREASE FITTING	1
20	H20311M	O-RING (INNER SHAFT, BUNA) ¹	1
21	H08901M	FULCRUM PIN ³	1
22	H20312M	WASHER ^{2,3}	5
23	H04981M	COTTER PIN ³	1
24	H20361M	LOCK PIN (POPPET)	1
25	H20092M	LOCK PIN (SHAFT)	2
26	H51477M	SCREW ²	4
27	C10316M	SIGHT GLASS ²	1
28	H51384M	FLOAT BALL ²	1
29	H51437M	O-RING (SIGHT GLASS) ²	1
30	H20049M	HUB ²	1

REPAIR KITS	
PART NUMBER	DESCRIPTION
861ORK	O-RING REPAIR KIT
861BRK	SIGHT GLASS REPAIR KIT
861HRK-ALUM	HANDLE REPAIR KIT (ALUMINUM)

1 - Included in 861ORK, 2 - Included in 861BRK, 3 - Included in 861HRK