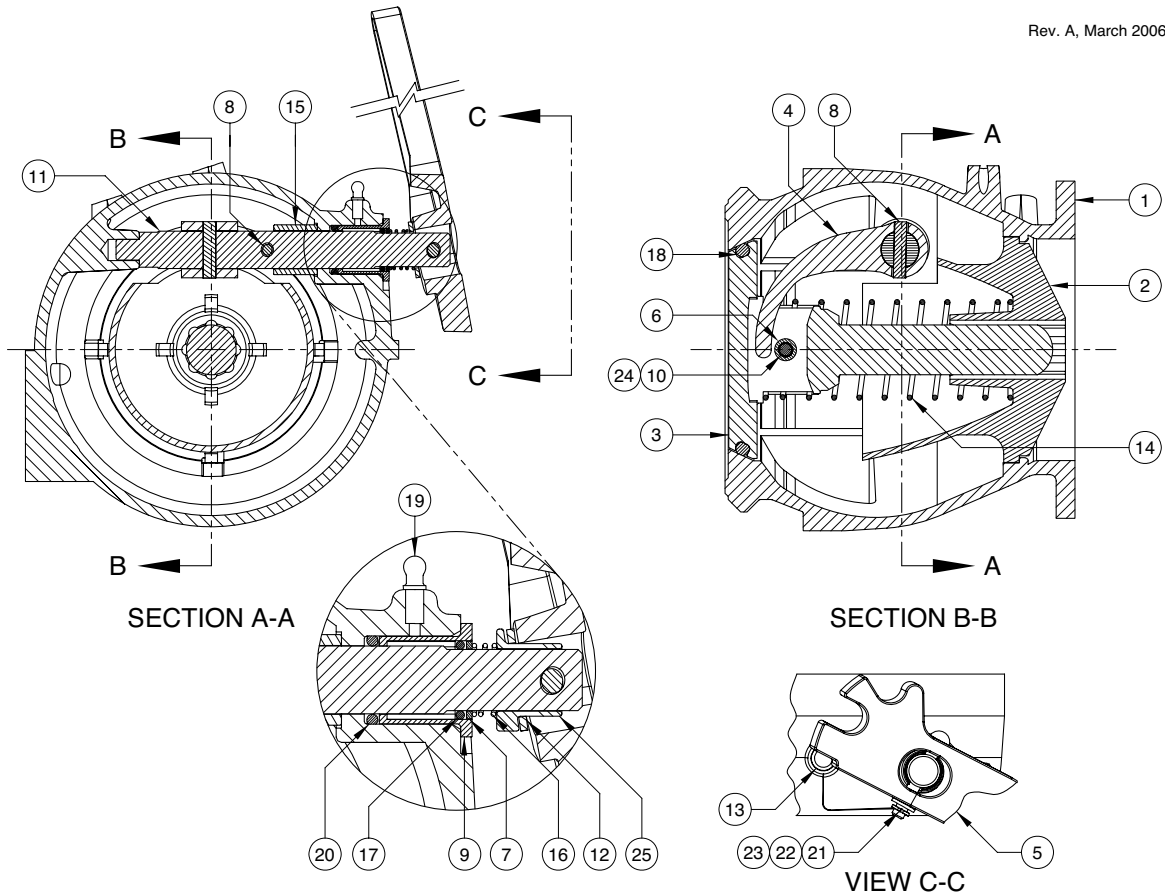




# 897A Bottom Loading Adaptor

## Replacement Parts

Rev. A, March 2006



ITEM	PART NUMBER	DESCRIPTION	QTY.
1	E51718A	BODY	1
2	E51507M	DEFLECTOR	1
3	E10004A	POPPET	1
4	C10008EW	CAM	1
5	D51940M	HANDLE (ALUMINUM) <sup>2</sup>	1
6	H20052M	ROLLER	1
7	10840	WASHER <sup>2</sup>	1
8	H20092M	LOCK PIN (SHAFT)	2
9	H20048M	BEARING <sup>2</sup>	1
10	H20078M	ROLLER BEARING	1
11	H20050RE	SHAFT	1
12	H52344M	WASHER <sup>2</sup>	1
13	H20051M	STOP PIN	1
14	H20178M	SPRING (POPPET)	1
15	H20203M	SPACER	1

ITEM	PART NUMBER	DESCRIPTION	QTY.
16	H20182M	SPRING (HANDLE) <sup>2</sup>	1
17	H06924M	O-RING (OUTER SHAFT, BUNA) <sup>1,2</sup>	1
18	H20058M	O-RING (POPPET, VITÓN)	1
19	H20285M	GREASE FITTING	1
20	H20311M	O-RING (INNER SHAFT, BUNA) <sup>1</sup>	1
21	H08901M	FULCRUM PIN <sup>2</sup>	1
22	H20312M	WASHER <sup>2</sup>	1
23	H04981M	COTTER PIN <sup>2</sup>	1
24	H20361M	LOCK PIN (POPPET)	1
25	H20049M	HUB <sup>2</sup>	1

REPAIR KITS	
PART NUMBER	DESCRIPTION
861ORK	O-RING REPAIR KIT
861HRK-ALUM	HANDLE REPAIR KIT (ALUMINUM)

1 - Included in 861ORK, 2 - Included in 861HRK-ALUM