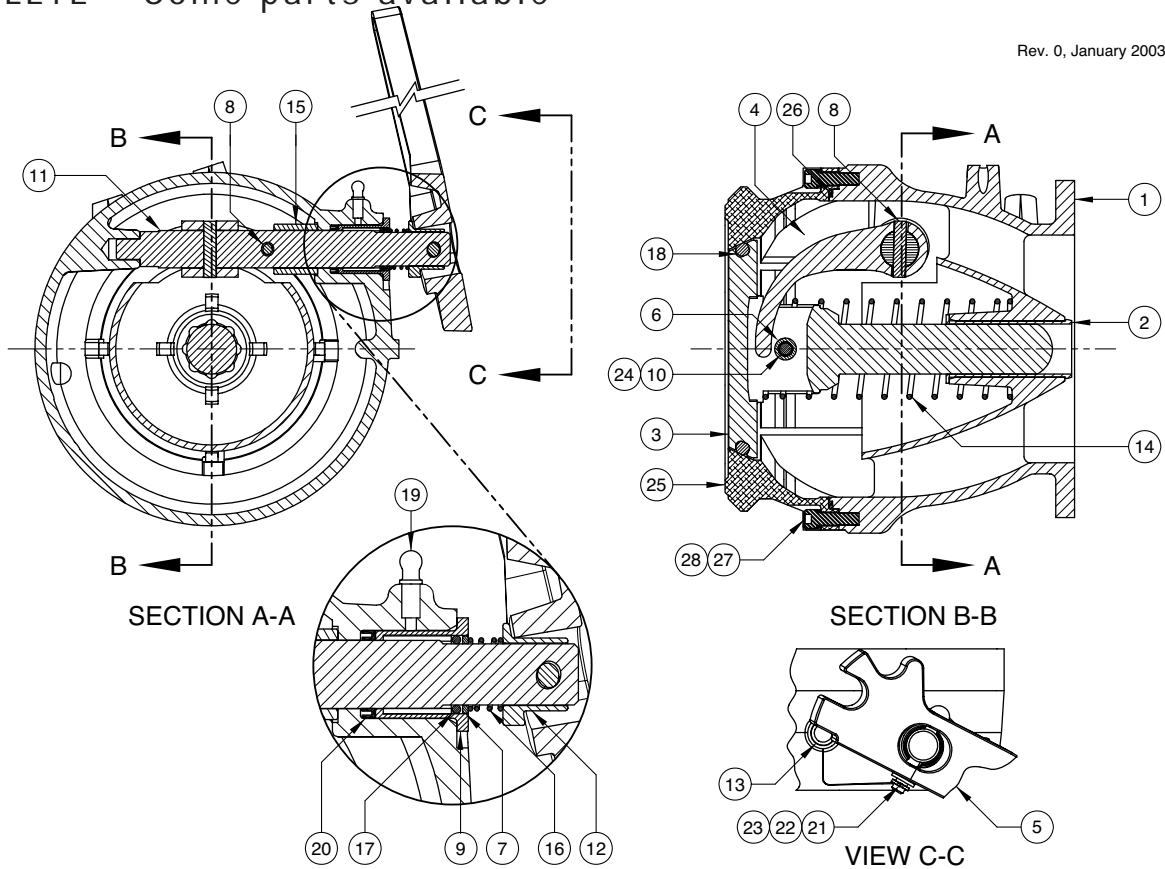




# 861ST Bottom Loading Adaptor

Replacement Parts  
OBSOLETE – Some parts available

Rev. 0, January 2003



ITEM	PART NUMBER	DESCRIPTION	QTY.
1	E10066A	BODY	1
2	H20071M	BEARING (POPPET)	1
3	E10004A	POPPET	1
4	C10008EW	CAM	1
5	C10009M	HANDLE (DURATUFF) <sup>2</sup>	1
6	H20052M	ROLLER	1
7	H20199M	WASHER <sup>2</sup>	1
8	H20092M	LOCK PIN (SHAFT)	2
9	H20048M	BEARING <sup>2</sup>	1
10	H20078M	ROLLER BEARING	1
11	H20050RE	SHAFT	1
12	H20049M	HUB <sup>2</sup>	1
13	H20051M	STOP PIN	1
14	H20073M	SPRING (POPPET)	1
15	H20203M	SPACER	1
16	H20182M	SPRING (HANDLE) <sup>2</sup>	1
17	H06924M	O-RING (OUTER SHAFT, BUNA) <sup>1,2</sup>	1

ITEM	PART NUMBER	DESCRIPTION	QTY.
18	H20100M	O-RING (POPPET, PTFE/SIL) <sup>1</sup>	1
19	H20285M	GREASE FITTING	1
20	H20102M	SEAL RING (PTFE) <sup>1</sup>	1
21	H08901M	FULCRUM PIN <sup>2</sup>	1
22	H20312M	WASHER <sup>2</sup>	1
23	H04981M	COTTER PIN <sup>2</sup>	1
24	H20361M	LOCK PIN (POPPET)	1
25	E10003AH	ADAPTOR FACE (ANODIZED)	1
26	H20099M	O-RING (PTFE)	1
27	H20151M	CAP SCREW	8
28	H20057M	LOCK WASHER	8

REPAIR KITS	
PART NUMBER	DESCRIPTION
861STORK	O-RING REPAIR KIT
861HRK	HANDLE REPAIR KIT (DURATUFF)

1 - Included in 861STORK, 2 - Included in 861HRK