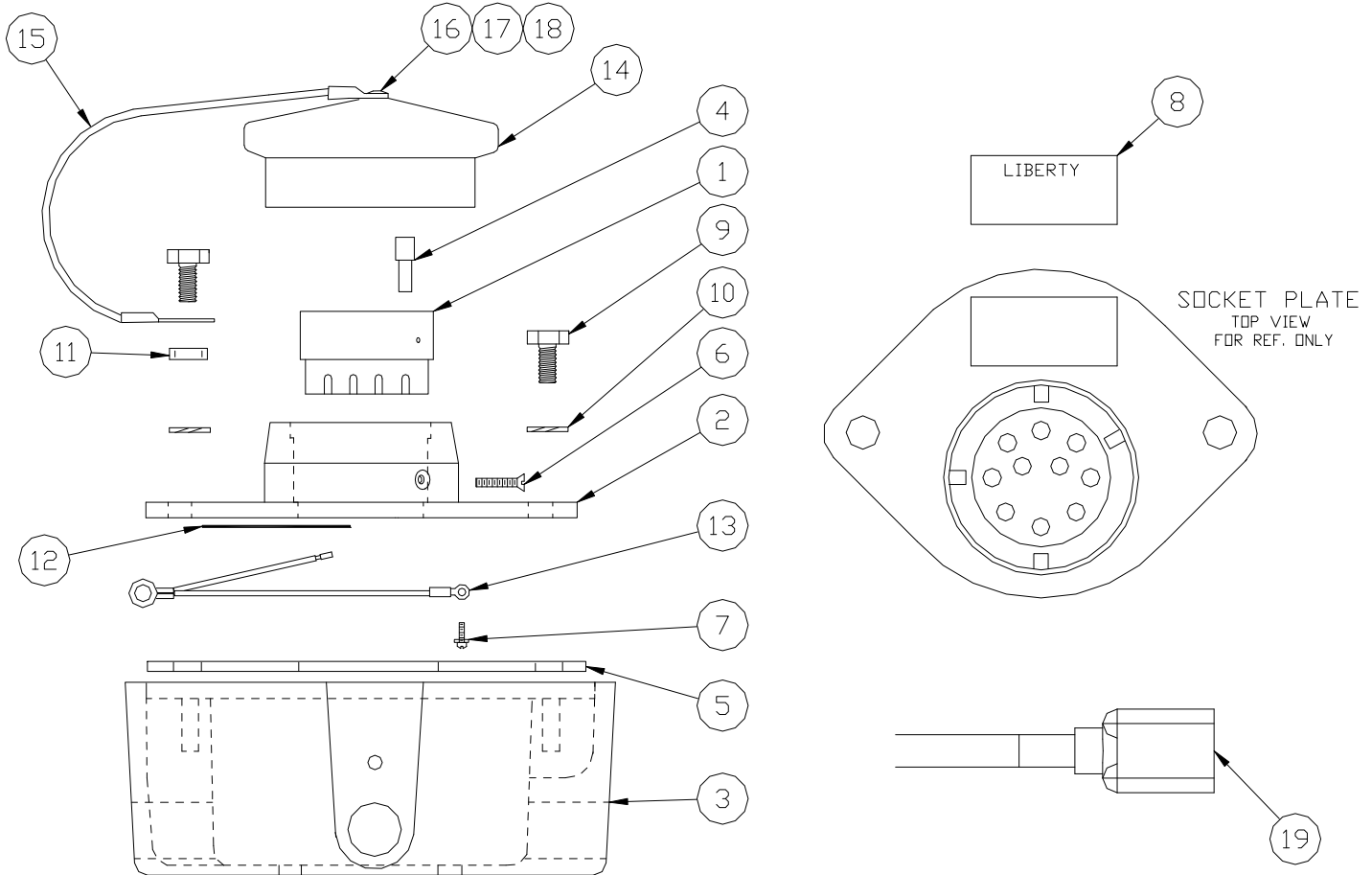




## 4401RL ROMLink Thermistor Socket

PARTS BREAK DOWN



| ITEM | PART NUMBER            | DESCRIPTION           | QTY. |
|------|------------------------|-----------------------|------|
| 1    | C40011M <sup>2</sup>   | CONTACT BLOCK         | 1    |
| 2    | D40104AH <sup>2</sup>  | FACEPLATE, THERMISTOR | 1    |
| 3    | D40100A                | BODY                  | 1    |
| 4    | H50616M <sup>2</sup>   | CONTACT, BUTTON       | 10   |
| 5    | H50064M <sup>2</sup>   | GASKET                | 1    |
| 6    | H50074M <sup>2</sup>   | SCREW, #6-32 1/2"     | 1    |
| 7    | H50623M-2 <sup>2</sup> | SCREW, #6-32 3/8"     | 1    |
| 8    | H50417M <sup>2</sup>   | NAME PLATE            | 1    |
| 9    | H50108M <sup>2</sup>   | SCREW, 5/16-18 3/4"   | 2    |
| 10   | H50250M <sup>2</sup>   | WASHER, 5/16 SS       | 2    |
| 11   | H50291M <sup>2</sup>   | SPACER                | 1    |

| ITEM        | PART NUMBER            | DESCRIPTION            | QTY. |
|-------------|------------------------|------------------------|------|
| 12          | C51503M <sup>2</sup>   | LABEL, TECH ASSISTANCE | 1    |
| 13          | H50618M <sup>2</sup>   | GROUND WIRE            | 1    |
| 14          | H50065M <sup>1,2</sup> | DUST CAP, GREEN        | 1    |
| 15          | H50288M <sup>1,2</sup> | CABLE                  | 1    |
| 16          | H50290M <sup>1,2</sup> | RIVET                  | 1    |
| 17          | H50292M <sup>1,2</sup> | WASHER                 | 1    |
| 18          | H50293M <sup>1,2</sup> | LOGO WASHER            | 1    |
| 19          | CIV-S100               | SOCKET PIGTAIL 32"     | 1    |
| REPAIR KITS |                        |                        |      |
|             | 4450-4450              | DUST CAP               |      |
|             | 4411-4411              | FACE PLATE KIT         |      |

1 - Included in 4450-4450, 2 - Included in 4411-4411