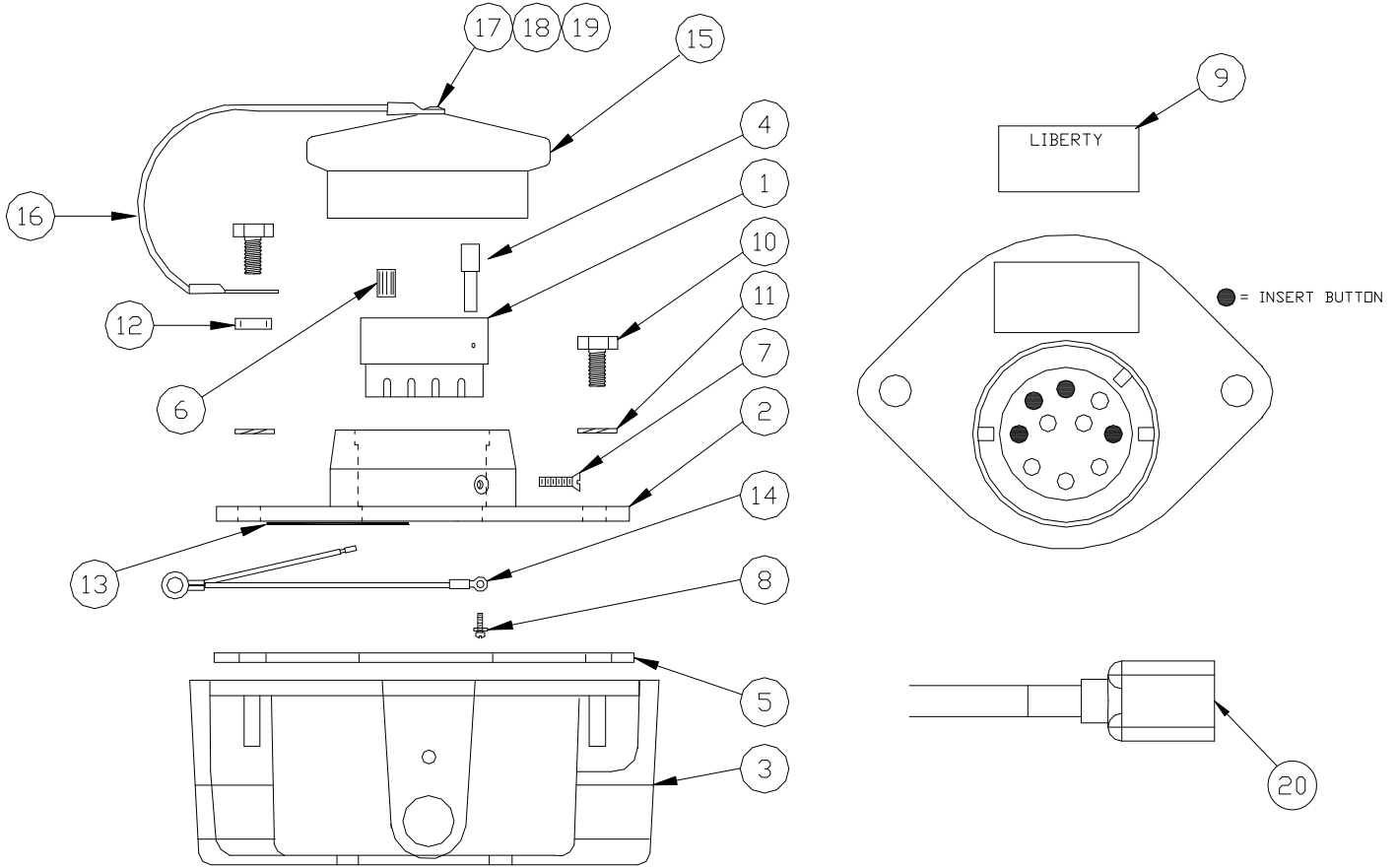




4100RL ROMLink Optic Socket



ITEM	PART NUMBER	DESCRIPTION	QTY.
1	C40011M ²	CONTACT BLOCK	1
2	D40103AH ²	FACEPLATE, OPTIC	1
3	D40100A	BODY	1
4	H50616M ²	CONTACT, BUTTON	6
5	H50064M ²	GASKET	1
6	H50617M ²	INSERT	4
7	H50074M ²	SCREW, #6-32 1/2"	1
8	H50623M-2 ²	SCREW, #6-32 3/8"	1
9	H50107M ²	NAME PLATE	1
10	H50108M ²	SCREW, 5/16-18 3/4"	2
11	H50250M ²	WASHER, 5/16 SS	2
12	H50291M ²	SPACER	1

ITEM	PART NUMBER	DESCRIPTION	QTY.
13	C51503M ²	LABEL, TECH ASSISTANCE	1
14	H50618M ²	GROUND WIRE	1
15	H50025M ^{1,2}	DUST CAP, BLUE	1
16	H50288M ^{1,2}	CABLE	1
17	H50290M ^{1,2}	RIVET	1
18	H50292M ^{1,2}	WASHER	1
19	H50293M ^{1,2}	LOGO WASHER	1
20	CIV-S100	SOCKET PIGTAIL 32"	1

REPAIR KITS	
4150-4150	DUST CAP
4110-4110	FACE PLATE KIT

1 - Included in 4150-4150, 2 - Included in 4110-4110