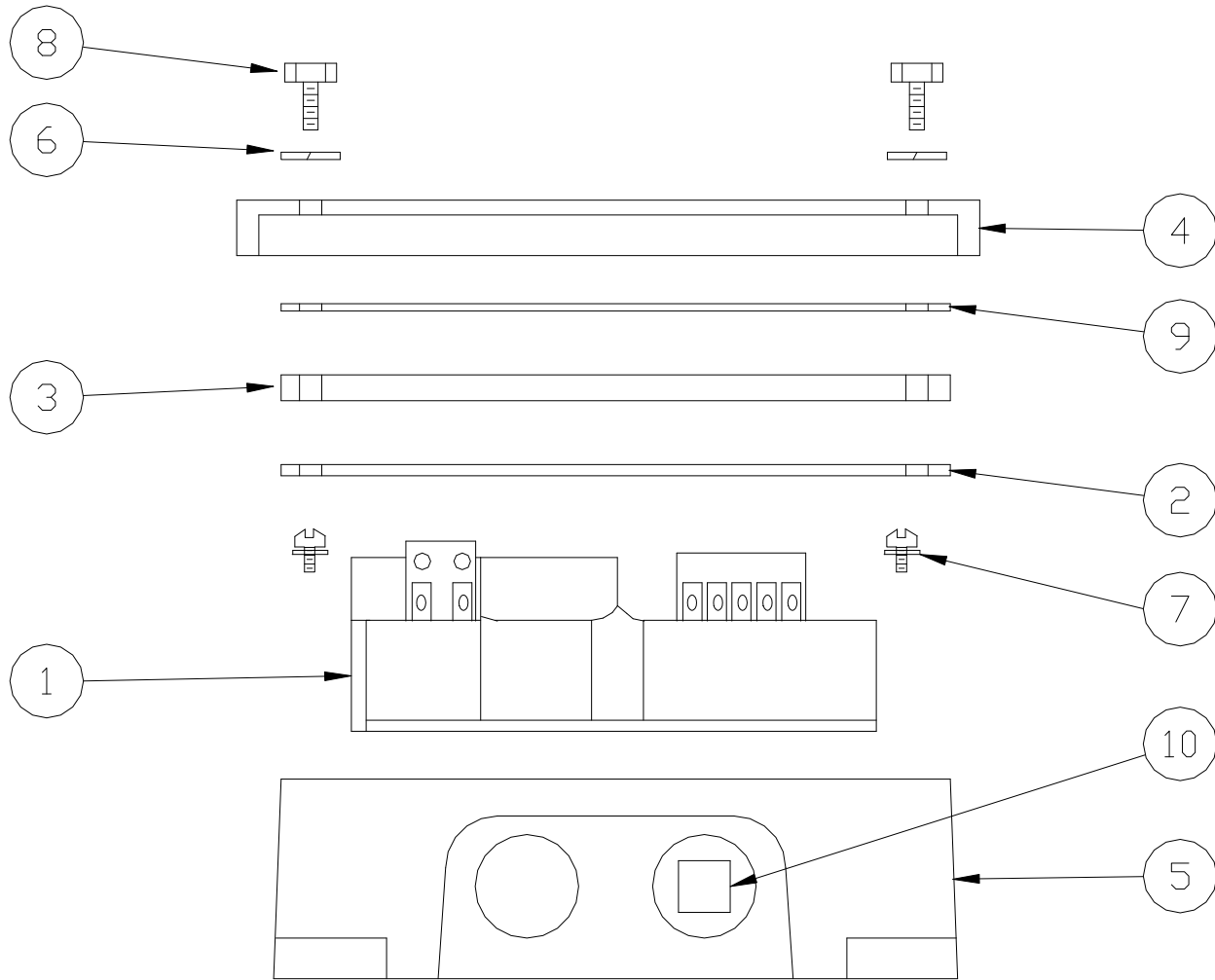




## 3100-3100 Liberty On Board Monitor



ITEM	PART NUMBER	DESCRIPTION	QTY.
1	3150-3150	ASSY. MODULE	1
2	C40015M <sup>1,2</sup>	GASKET	1
3	C40097M <sup>1,2</sup>	WINDOW	1
4	C40104APC <sup>1,2</sup>	COVER	1
5	D40006APC <sup>1</sup>	BASE	1
6	H50086M <sup>1,2</sup>	LOCK WASHER, 1/4"	6
7	H50623M-2 <sup>1</sup>	SCREW, #6-32 3/8"	4

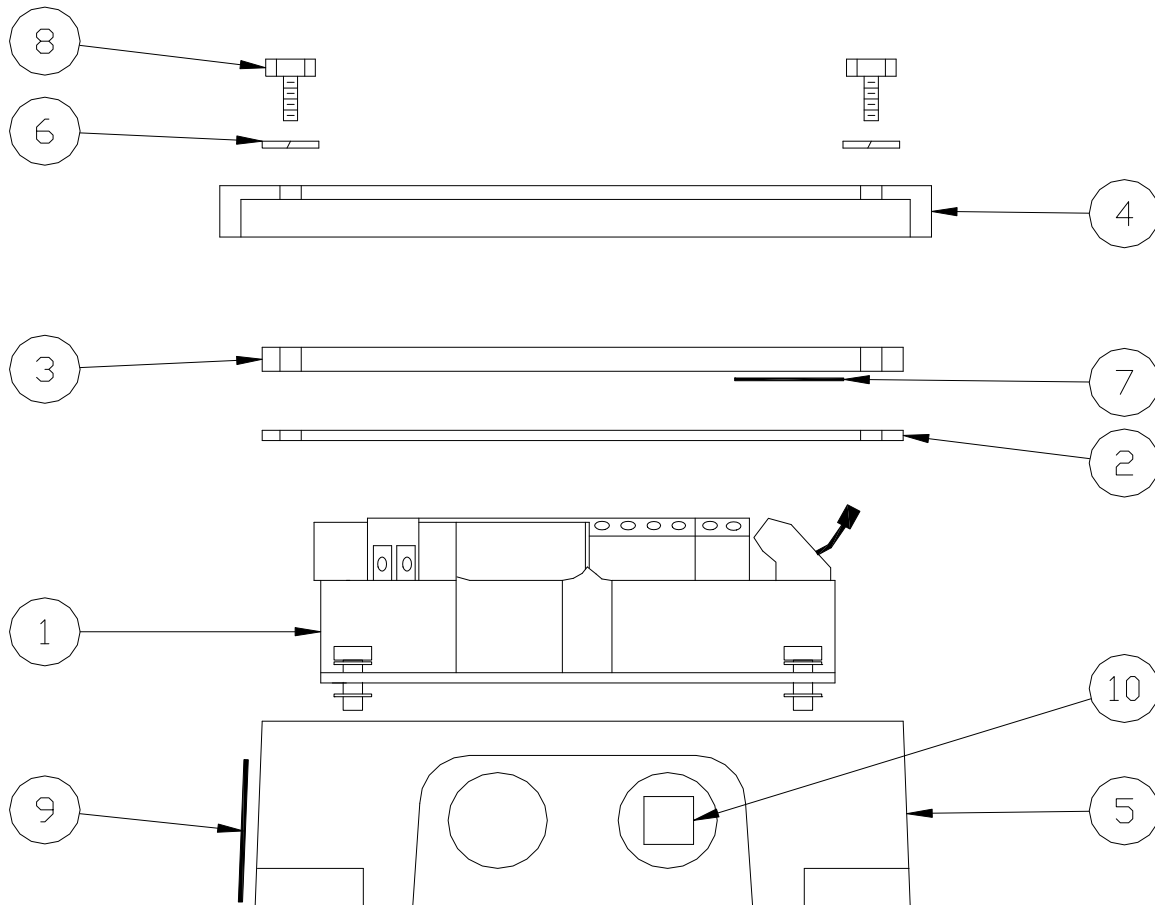
ITEM	PART NUMBER	DESCRIPTION	QTY.
8	9541 <sup>1,2</sup>	SCREW, 1/4-20 1"	6
9	C40180M <sup>1,2</sup>	NAME PLATE <sup>2</sup>	1
10	H50070M <sup>1</sup>	BLACK PLUG, 1/2" NPT	3

REPAIR KITS	
3100-KIT	HOUSING KIT
H50192	WINDOW ENCLOSURE REPAIR KIT

1 - Included in 3100-KIT 2- Included in H50192



## 3202-3202 ROM II On Board Monitor



ITEM	PART NUMBER	DESCRIPTION	QTY.
1	3252-3252	ASSY. MODULE	1
2	C40015M <sup>1,2</sup>	GASKET	1
3	C51426M <sup>1,2</sup>	WINDOW	1
4	C40104APC <sup>1,2</sup>	COVER	1
5	D40006APC <sup>1</sup>	BASE	1
6	H50086M <sup>1,2</sup>	LOCK WASHER, 1/4"	6
7	C51503M <sup>2</sup>	LABEL, TECH ASSISTANCE	1

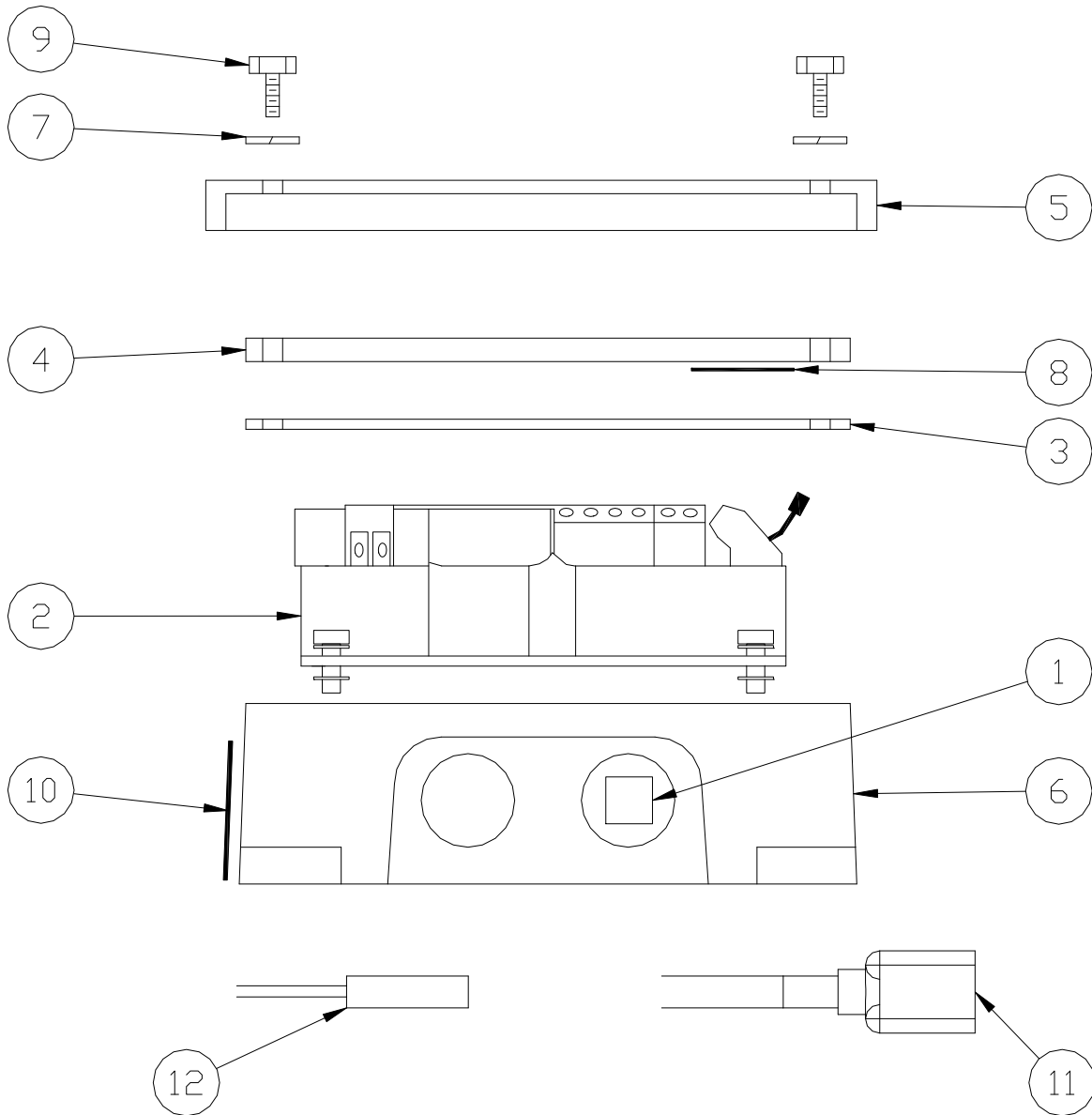
ITEM	PART NUMBER	DESCRIPTION	QTY.
8	9541 <sup>1,2</sup>	SCREW, 1/4-20 1"	6
9	H51425M	NAME PLATE	1
10	H51916M <sup>1</sup>	BLACK PLUG, 1/2" NPT	4

REPAIR KITS	
3202-KIT	HOUSING KIT
H50194	WINDOW ENCLOSURE REPAIR KIT

1 - Included in 3252-3252, 2 - Included in H50194



## 3202RL ROMLink On Board Monitor



ITEM	PART NUMBER	DESCRIPTION	QTY.
1	H51916M	BLACK PLUG, 1/2" NPT	4
2	C51423 <sup>1</sup>	ASSY. MODULE	1
3	C40015M <sup>2</sup>	GASKET	1
4	C51426M <sup>2</sup>	WINDOW	1
5	C40104APC <sup>2</sup>	COVER	1
6	D40006APC	BASE	1
7	H50086M <sup>2</sup>	LOCK WASHER, 1/4"	6
8	C51503M	LABEL, TECH ASSISTANCE	1

1 - Included in 3252-3252, 2 - Included in H50194

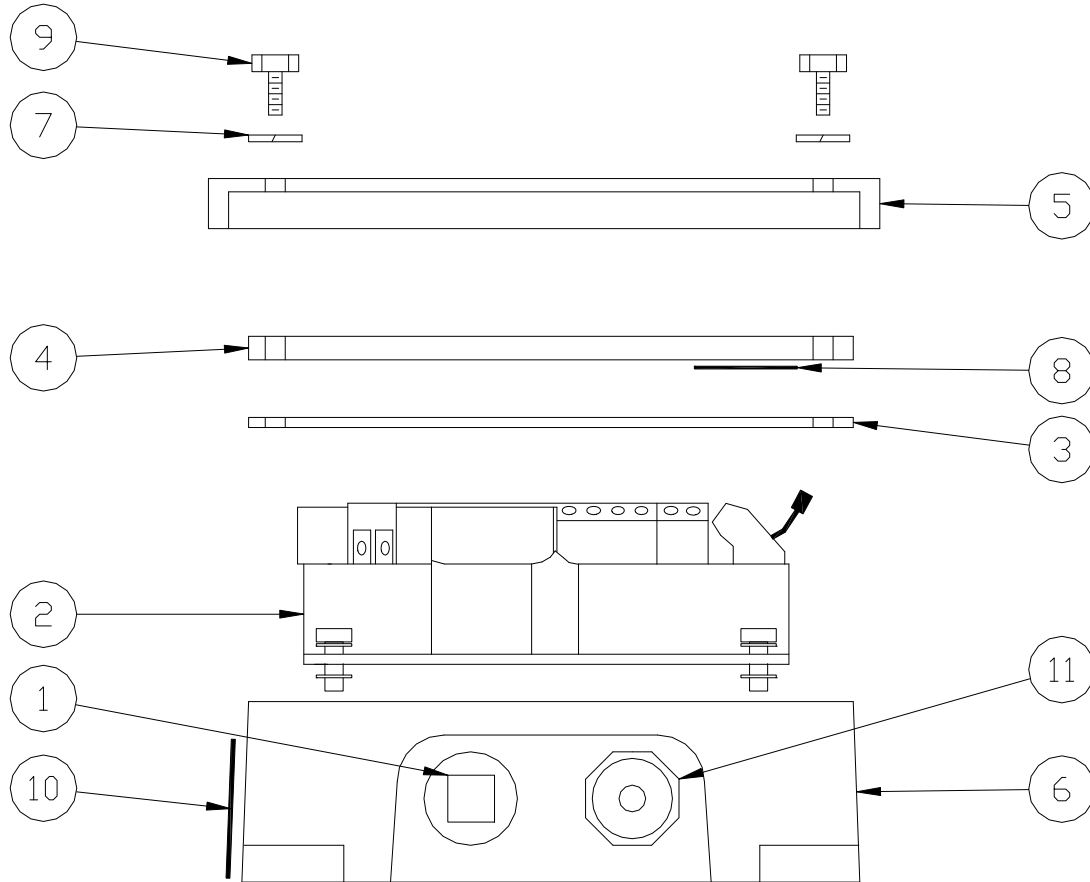
ITEM	PART NUMBER	DESCRIPTION	QTY.
9	9541 <sup>2</sup>	SCREW, 1/4-20 1"	6
10	H51425M	NAME PLATE	1
11	CIV-R100	ROMLink PIGTAIL	**
12	1910A	INTERNAL TERMINATOR	1

\*\* Number of Pigtails equal to ROMLink Configuration

REPAIR KITS	
3252-3252	REPL. ON BOARD MONITOR
H50194	WINDOW ENCLOSURE REPAIR KIT



## 3202R-3202 ROM II On Board Monitor



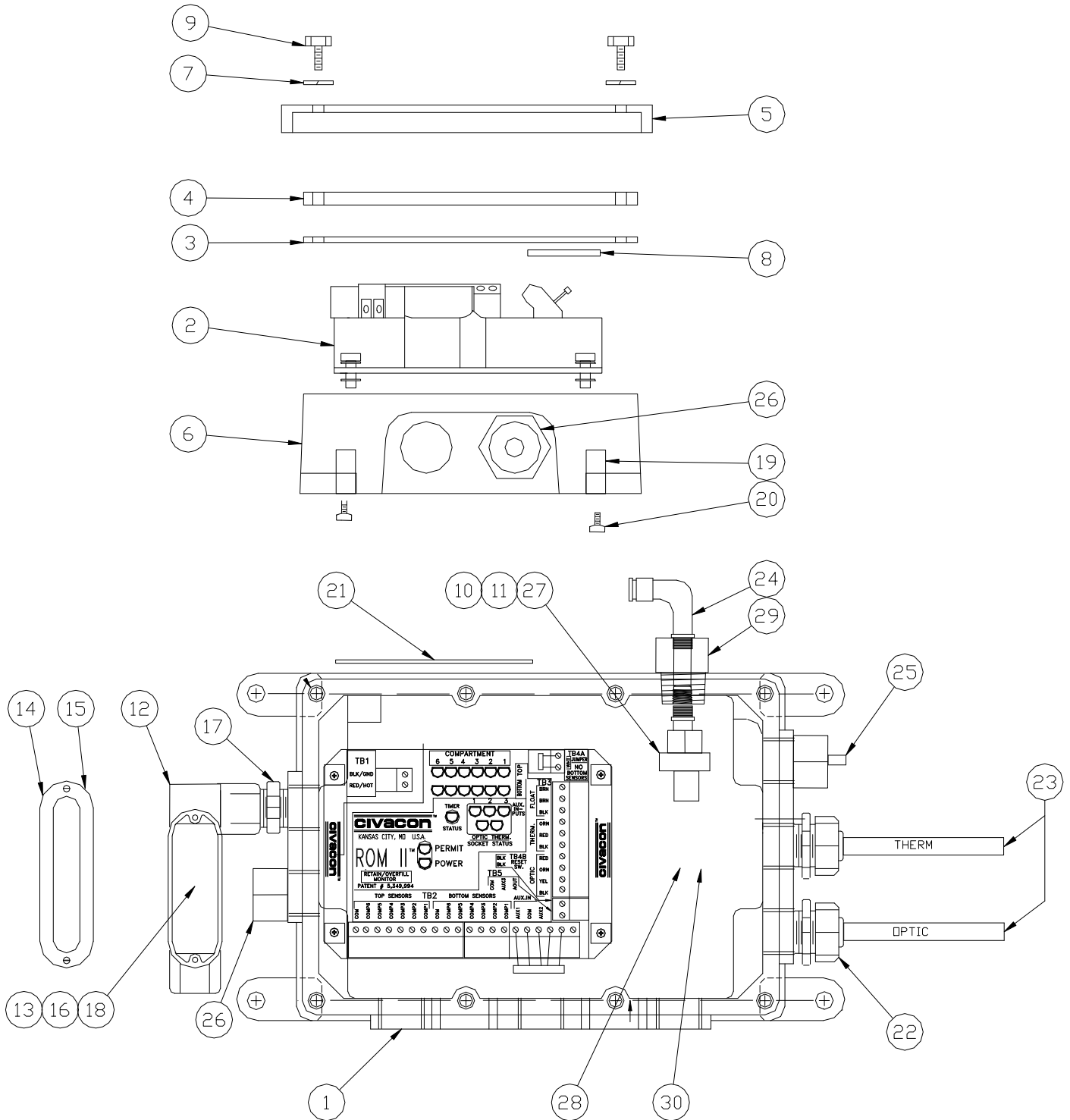
ITEM	PART NUMBER	DESCRIPTION	QTY.
1	H51916M	BLACK PLUG, 1/2" NPT	2
2	C51423 <sup>1</sup>	ASSY. MODULE	1
3	C40015M <sup>2</sup>	GASKET	1
4	C51426M <sup>2</sup>	WINDOW	1
5	C40104APC <sup>2</sup>	COVER	1
6	D40006APC	BASE	1
7	H50086M <sup>2</sup>	LOCK WASHER, 1/4"	6

ITEM	PART NUMBER	DESCRIPTION	QTY.
8	C51503M	LABEL, TECH ASSISTANCE	1
9	9541 <sup>2</sup>	SCREW, 1/4-20 1"	6
10	H51425M	NAME PLATE	1
11	H50452	RESET SWITCH	1
REPAIR KITS			
	3252-3252	REPL. ON BOARD MONITOR	
	H50194	WINDOW ENCLOSURE REPAIR KIT	

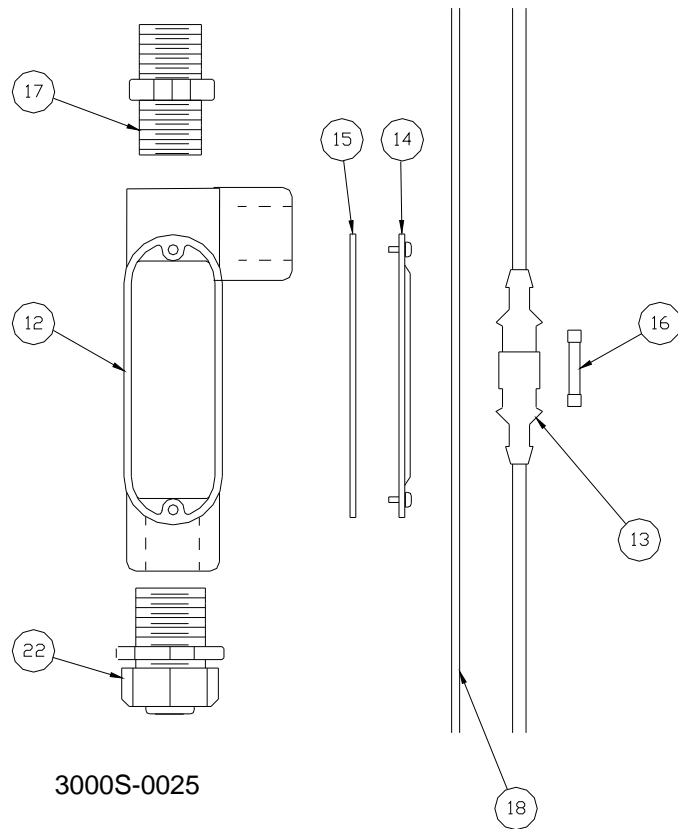
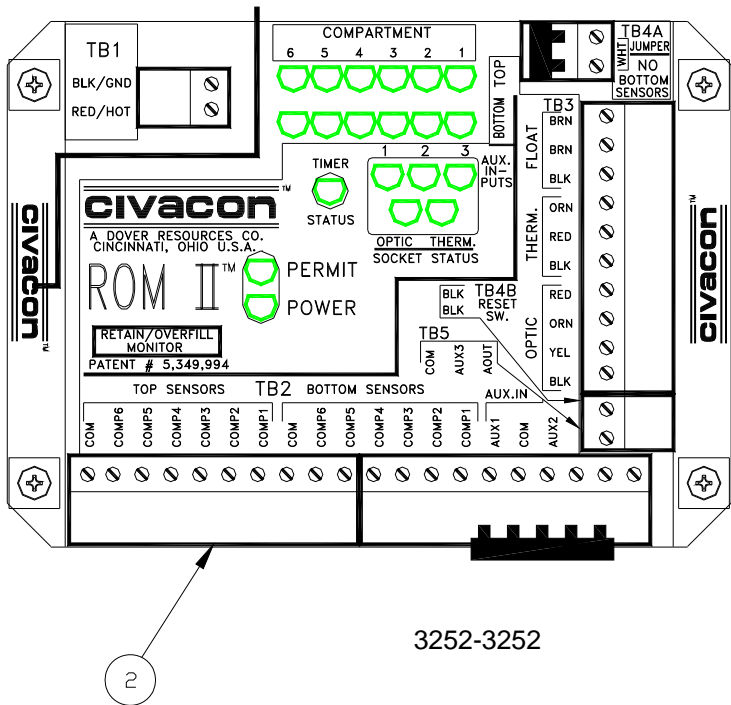
1 - Included in 3252-3252, 2 - Included in H50194



## 3202-SPECIAL ROM II On Board Monitor



# 3202-SPECIAL ROM II On Board Monitor



ITEM	PART NUMBER	DESCRIPTION	QTY.
1	H51916M	BLACK PLUG, 1/2" NPT	2
2	C51423 <sup>1</sup>	ASSY. MODULE	1
3	C40155M	GASKET	1
4	C52403M	WINDOW	1
5	D40091APC	COVER	1
6	D52309	BASE	1
7	H50086M	LOCK WASHER, 1/4"	8
8	C51503M	LABEL, TECH ASSISTANCE	1
9	9541	SCREW, 1/4-20 1"	8
10	97792	WIRE, #22 GA. BLACK	.5'
11	97793	WIRE, #22 GA. YELLOW	.5'
12	H52445M <sup>2</sup>	JUNCTION BOX, "L" SHAPE	1
13	H50880M <sup>2</sup>	FUSE HOLDER	1
14	H50453M <sup>2</sup>	JUNCTION BOX, COVER	1
15	H50454M <sup>2</sup>	JUNCTION BOX, GASKET	1
16	H50692M <sup>2</sup>	FUSE, .25A 3AG TYPE 250V	1
17	H50654M <sup>2</sup>	BRASS NIPPLE	1

ITEM	PART NUMBER	DESCRIPTION	QTY.
18	97784 <sup>2</sup>	WIRE, #18 GA. BLACK	1'
19	H50740M	STANDOFF	2
20	H52438M	SCREW, #6-32 3/8"	2
21	H51425M	NAME PLATE	1
22	H50221M <sup>2</sup>	STRAIN RELIEF	4
23	97701	WIRE, #20 GA. BLACK	20'
24	9054	ELBOW MALE, 1/8" NPT	1
25	GS1000	GROUND BOLT	1
26	H50452	RESET SWITCH	1
27	H52416M	PRESSURE SWITCH	1
28	H50429M	SPLICE END	1
29	H52421RAB	ADAPTOR	1
30	H50287M	CABLE TIE	2

REPAIR KITS	
3252-3252	REPL. ON BOARD MONITOR
3000S-0025	REPL. JUNCTION BOX KIT

1 - Included in 3252-3252, 2 - Included in 3000S-0025



PHONE: (816) 741-6600 • (888) 526-5657 • Fax: (816) 741-1061  
4304 Mattox Road • Kansas City, MO 64150 • [www.civacon.com](http://www.civacon.com)