

**TERMINAL LOAD RACK EQUIPMENT**

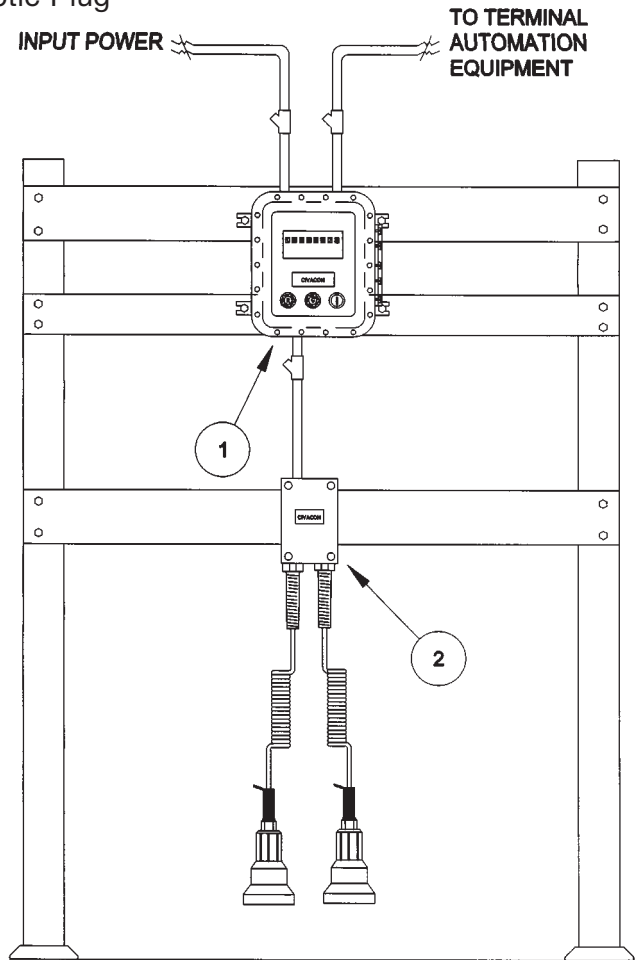
**H5180005 OPTIC OR THERMISTOR TRUCK OVERFILL DETECTION UNIT WITH GROUND VERIFICATION AND TRAILER COMPARTMENT STATUS (DUAL PLUG CONFIGURATION)**

For Use with Multi Compartment Tank Trucks or Trailers

- 1. Civacon Model 8480 Opti-Therm Control Monitor with Ground Verification and Trailer Compartment Status:  
 Displays the Status of the Sensors on the Trailer  
 Indicates Optic or Thermistor Mode  
 Indicates Ground Verification  
 NEMA 7 Enclosure  
 Keyed Bypass Switch  
 Red and Green Status Lights

- 2. Dual Plug Configuration - Civacon Models 7190S and 7300:  
 7190S Consists of:  
 NEMA 4 Rated Junction Box with Terminal Strip  
 30 Ft. High Visibility 10 Conductor Coiled Cord  
 Light Weight Molded Optic Plug

- 7300 Consists of:  
 30 Ft. High Visibility 10 Conductor Coiled Cord  
 Light Weight Molded Thermistor Plug



<b>CALL</b>	INQUIRIES SALES SERVICE	4304 Mattox Road • Kansas City, MO 64150
	TECHNICAL SUPPORT	(800) 5-CIVAICON • (800) 524-8226

