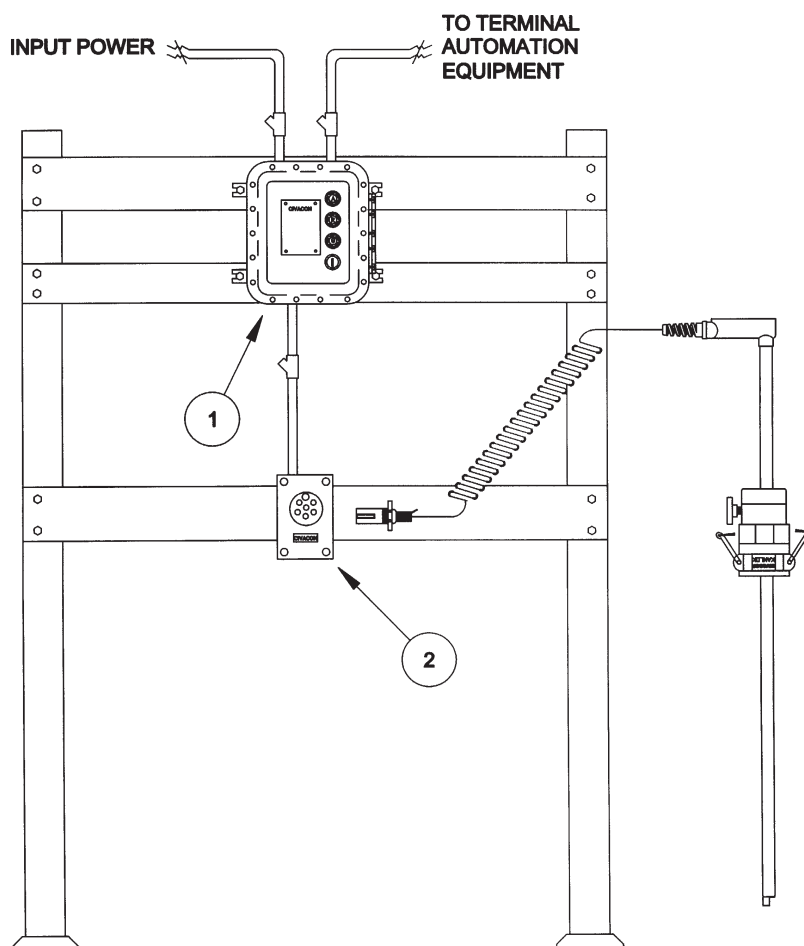


## H5180013 OPTIC OVERFILL DETECTION UNIT WITH CANE PROBE AND KAMLOK CONNECTION

For Use with Rail Cars or Vehicles without Permanently Installed Sensors

1. Civacon Model 8140 Optic Control Monitor:
  - NEMA 7 Enclosure
  - Keyed Bypass Switch
  - Red and Green Status Lights
  - Amber Light to Indicate Bypass
2. Civacon Model 7540 Junction Box for Use with Cane Probes.
3. Civacon Model 1300KMLS Optic Cane Probe with Kamlok Connection:
  - Standard 60" Length
  - Contact Factory for Other Lengths



<b>CALL</b>	INQUIRIES SALES SERVICE	4304 Mattox Road • Kansas City, MO 64150 (888) 526-5657 • fax (888) 634-1433
	TECHNICAL SUPPORT	(800) 5-CIVACON • (800) 524-8226