



## API Tank Truck Adaptor

**Computerized Engineered Software used to design the two-piece aluminum constructed body with a rotatable hard coated nose adaptor assures reliable service and a longer life.**

The Civacon 891 API bottom loading adaptor is precisely engineered and manufactured to match any loading coupler and to deliver superior value and performance. Its two-piece aluminum construction with a rotatable, hard coated adaptor assures reliable service and a longer life. The one-piece heavy-duty poppet with an acetal resin bearing gives the 891 the smoothest opening characteristics. With the wide range of applicable options the 891 adaptor offers, it's easy to match specific bottom loading needs and situations to enhance operational performance, minimize downtime and maximize profits.

### Features

- High flow API Adaptor with flat bottom for reduced product retention
- All new ergonomically designed light weight aluminum handle comes standard on all Civacon API heads
- Design for high flow and reduced retention
- Precision manufactured for long dependable operation
- Model 200 Interlock mount
- Poppet seal can be easily replaced without removing the API Adaptor for the tank
- Lightweight with incredible strength
- Stainless Steel internals for strength and durability
- Conforms to API 1004 and EN13083
- Direct replacement for 861 and 897 Series API Adaptors
- Available in openable and non-openable versions
- Compatible with diesel, biodiesel, gasoline, ethanol and methanol
- Weighs only 12 lbs.



### Ordering Specifications

#### API Adaptor with Handle

|              |   |
|--------------|---|
| <b>891A</b>  | Openable API Adaptor with Aluminum Handle, two-piece design, hard coated nose piece                 |
| <b>891BA</b> | Openable API Adaptor with Aluminum Handle and sight glass, two-piece design, hard coated nose piece |

#### API Adaptor without Handle

|              |   |
|--------------|---|
| <b>891N</b>  | Non-Openable API Adaptor, two-piece design, hard coated nose piece                  |
| <b>891NB</b> | Non-Openable API Adaptor with sight glass, two piece design, hard coated nose piece |

# API Tank Truck Adaptor

## Product Specifications

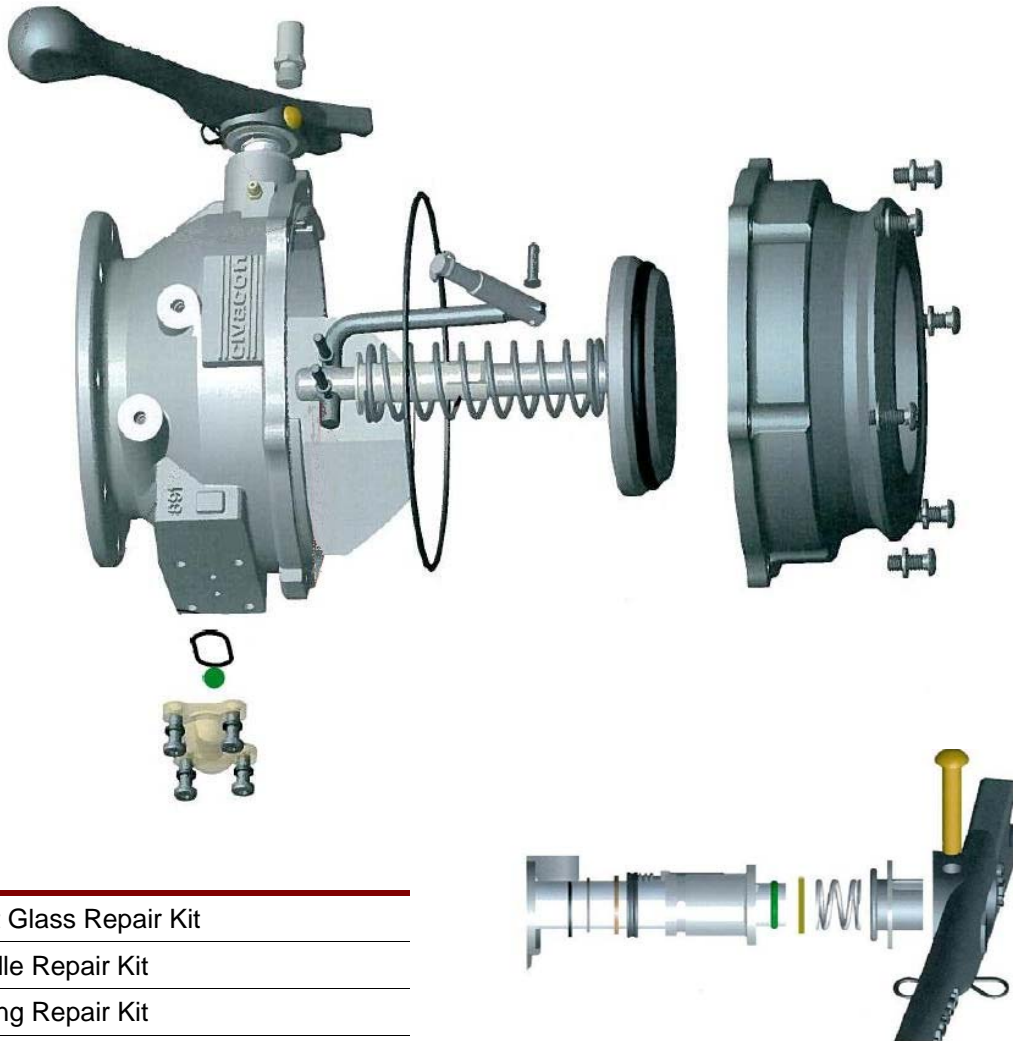
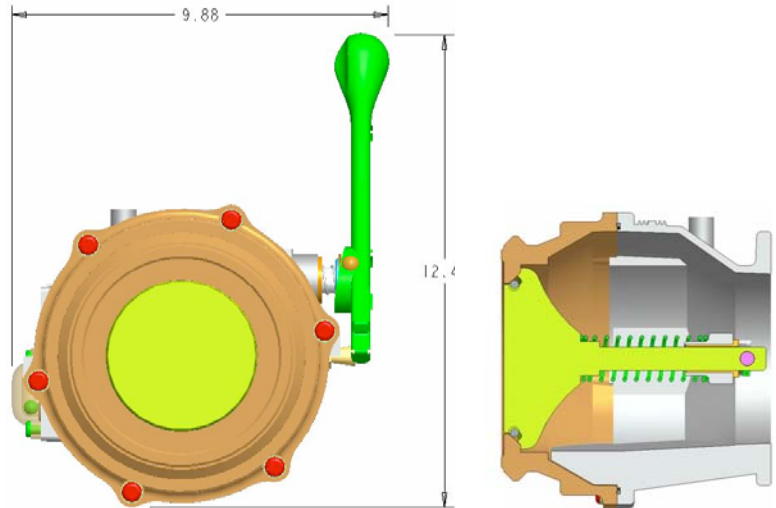
**Product Number**  
891BA

**Dimensions:**  
Height - 12.4"  
Width - 9.88"

**Materials:**  
Aluminum and Stainless Steel

**Weight:**  
12 lbs. (5.443 kg)

**Temp. Range:**  
-40°F to 150°F (-40° C to 66° C)



## Repair Kits

- 891BRK Sight Glass Repair Kit
- 891HRK Handle Repair Kit
- 891ORK O-Ring Repair Kit
- 891SRK Shaft Repair Kit

**CIVAICON™**

PHONE: (816) 741-6600 • (888) 526-5657 • Fax: (816) 741-1061  
4304 Mattox Road • Kansas City, MO 64150 • [www.civaicon.com](http://www.civaicon.com)