



Single API Socket with Ground Wire

Rev. A, Mar 2010

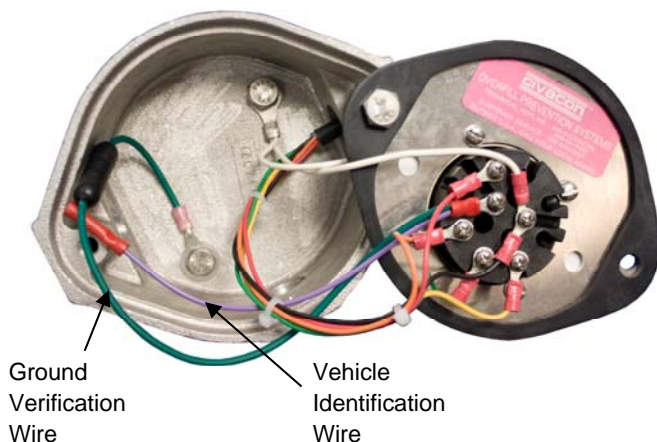
Civacon releases its new Optic and Thermistor Sockets with hard-coated nose ring and J-Slots for longer wear. These sockets are stronger than stainless-steel rings and come with a lifetime warranty.

Vehicle-mounted sockets connect Optic, Thermistor, and J560-type level sensors on trailers and truck tanks to their compatible monitor plugs installed at loading terminals.

Civacon, the name you can trust for quality overfill prevention products, introduces optic and thermistor single sockets with ground verification wired inside the socket. Ground verification is needed to load at terminals where the loading-rack monitor requires a special modified signal as part of its ground verification operation. An accessory wire is also connected to the ground wire for vehicle identification systems.

For proper installation, "the ground wire" **MUST** be securely fastened to the tanker chassis; Civacon has pre-wired it to pin No. 9 on the overfill-detection sockets to provide proper ground verification.

4102-4102 Wiring Shown



Socket Features

- Pre-wired, tested and ready for installation
- Aluminum Hard-Coated Nose Ring and J-Slots for long wear
- Ground Wire Installed
- Vehicle Identification Wire Installed
- Stainless-steel Contact Pins
- Color-coded for easy identification
- Lightweight, durable, low-cost caps with raised surfaces for better grip included
- Stainless-steel hardware included

Single API Socket with Ground Wire

Product Specifications

Product Numbers

4102-4102 - Standard Optic Socket
 4402-4402 - Standard Thermistor Socket
 4102RL - ROMLink Optic Socket
 4402RL - ROMLink Thermistor Socket

Materials

Housing - Aluminum
 J-Slot Collar - Hard-coated Aluminum
 Pins - Stainless-steel

Dimensions

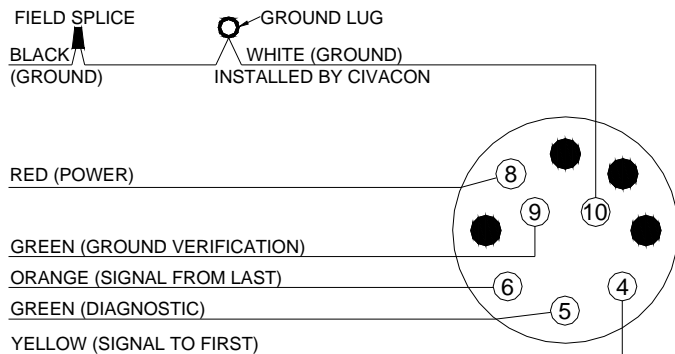
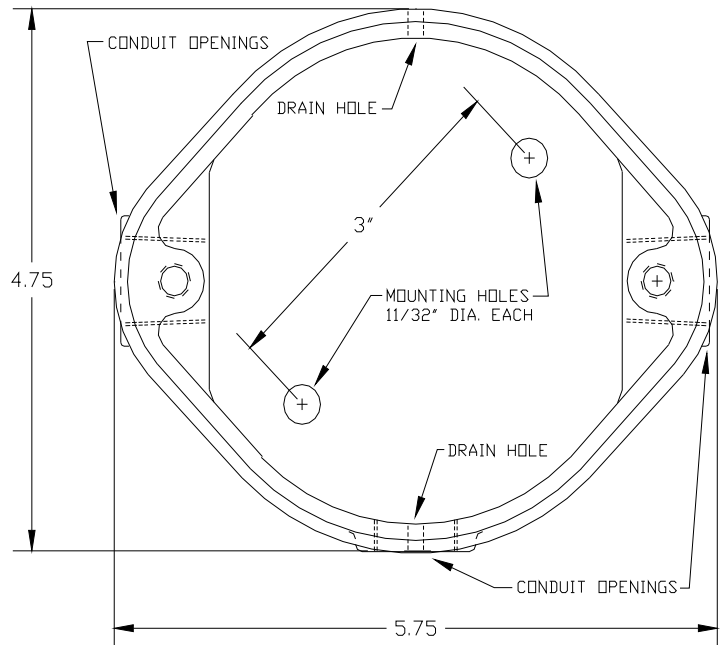
5.75" W x 4.75" H x 3.5" D

Weight

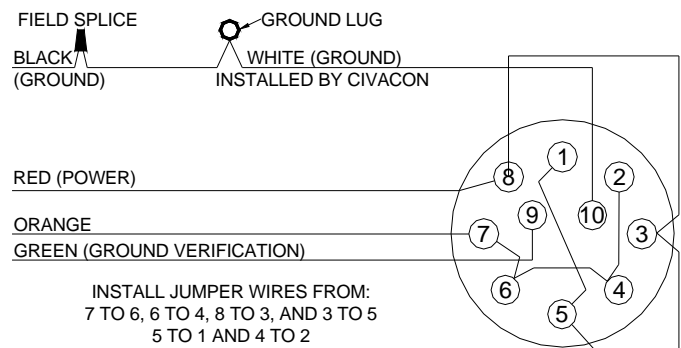
2.7 lbs. (1.224 kg)

Temperature Range

Operating Temperature -40° F (-40° C) to 160° F (71.1° C)



4102-4102 WIRING DIAGRAM



4402-4402 WIRING DIAGRAM

REFERENCE CHART

Socket Part #	Old Civacon Socket Part #	Description
4102-4102	4100-4100	API Optic Pattern Socket, 3 J-Slots with 6 pins
4402-4402	4401-4401	API Thermistor Pattern Socket, 4 J-Slots with 10 pins
4102RL	4100RL	ROMLink, API Optic Pattern Socket, 3 J-Slots with 6 pins
4402RL	4401RL	ROMLink, API Thermistor Pattern Socket, 4 J-Slots with 10 pins



PHONE: (816) 741-6600 • (888) 526-5657 • Fax: (816) 741-1061
 4304 Mattox Road • Kansas City, MO 64150 • www.civacon.com