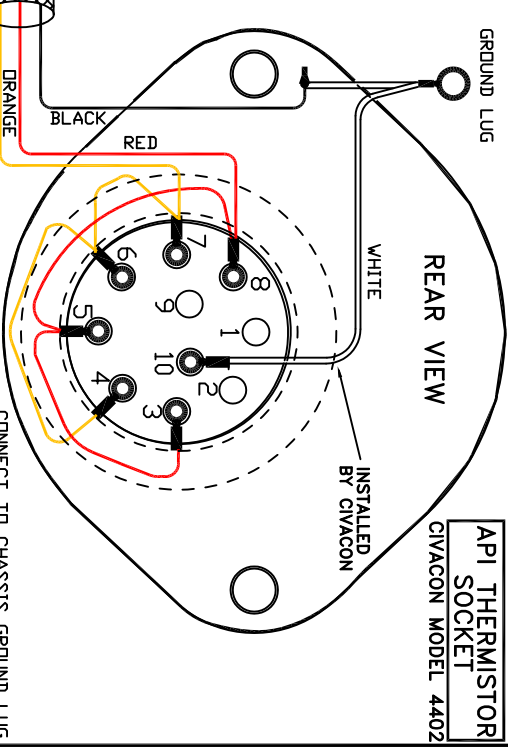
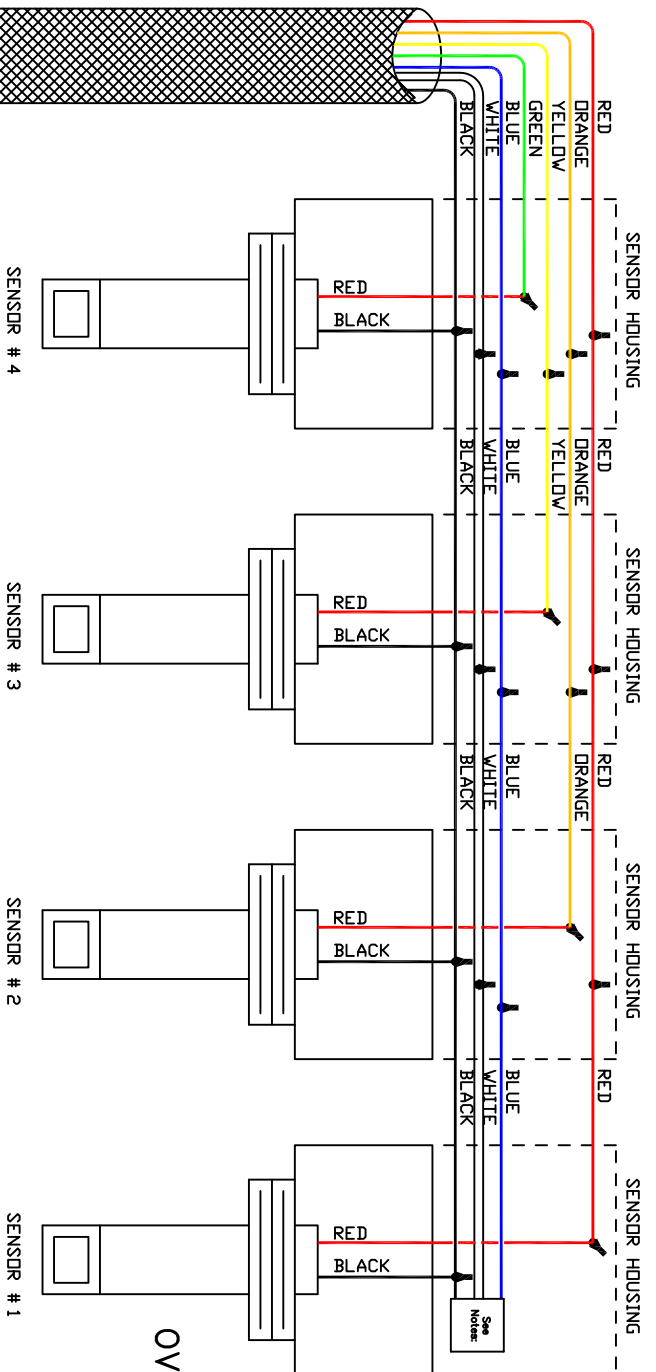
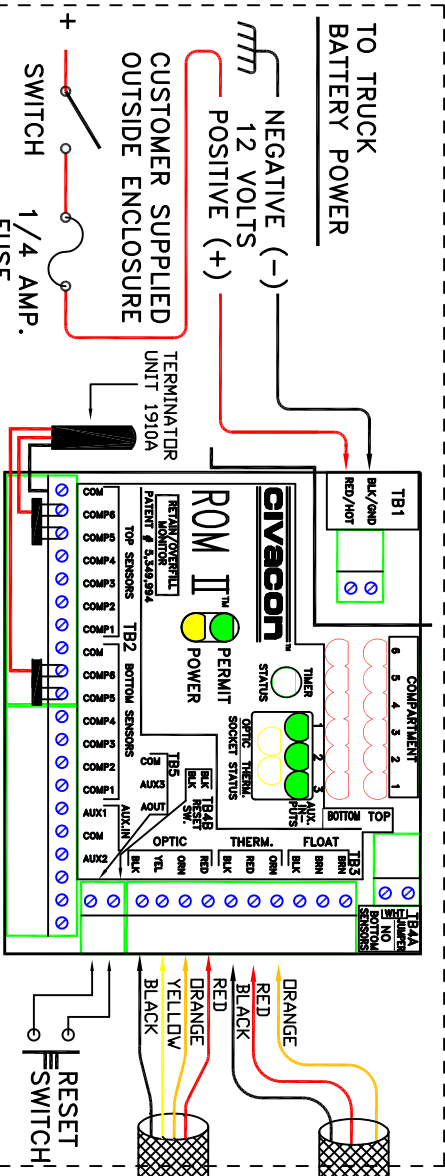


CIVACON ROM II SYSTEM

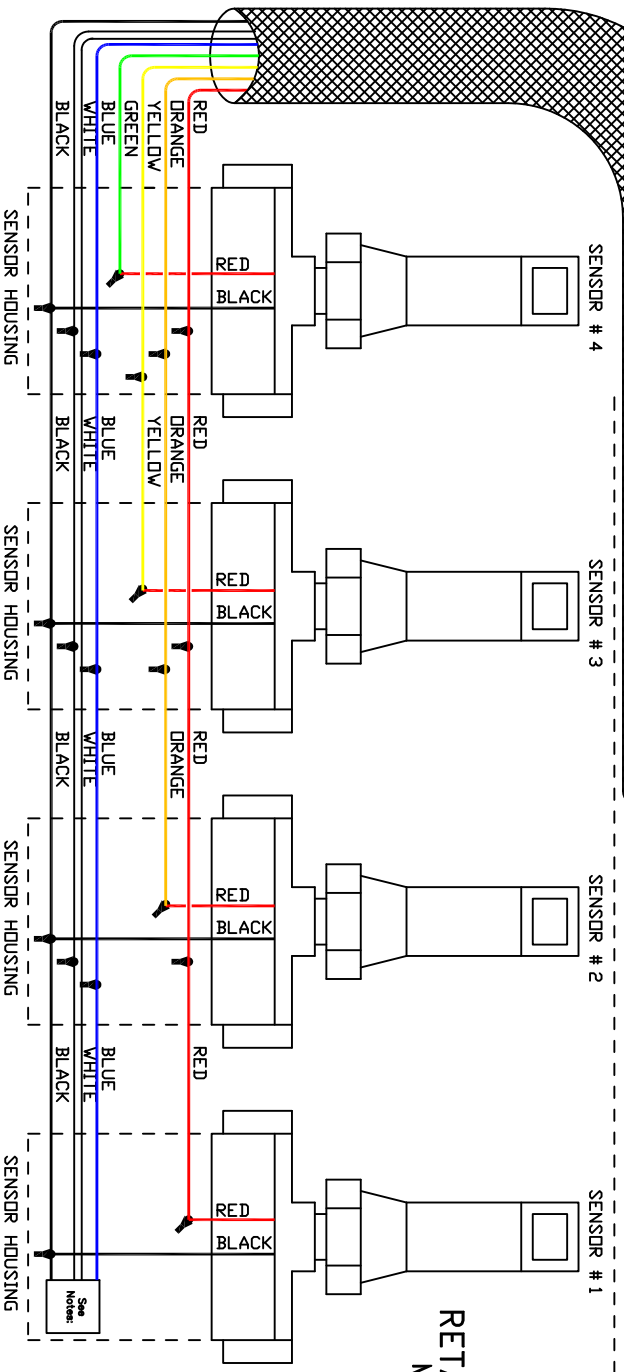
CIVACON
OVERFILL SENSORS
MODEL 1051-XXX



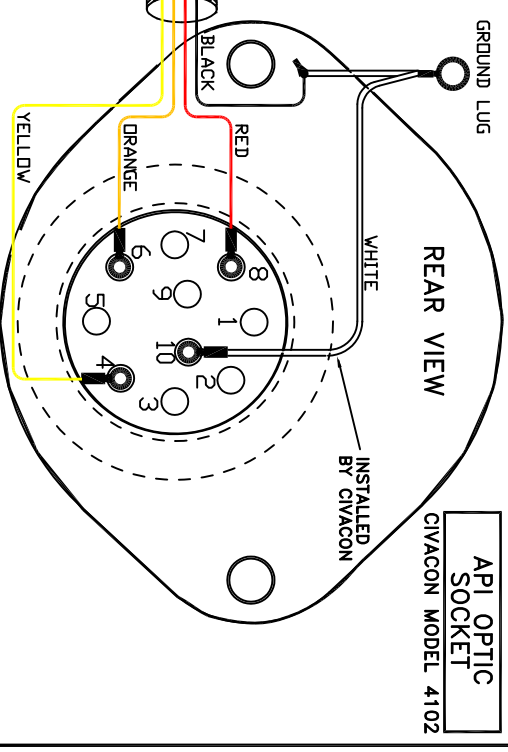
MODEL 2310
7 WIRE CABLE



MODEL 3202



CIVACON
RETAIN SENSORS
MODEL 1000R



CIVACON

FOR TECHNICAL ASSISTANCE CALL:

- 1-800-5 CIVACON
- 1-800-524-8226
- CUSTOMER SERVICE:
- 1-888-526-5657
- 1-816-741-6600

NOTES:



AUXILIARY INPUT
THE AUX. INPUTS ARE JUMPED BY THE MANUFACTURER. TO USE THE AUX. INPUTS YOU MUST REMOVE THE JUMPER FOR THAT PARTICULAR INPUT.

6 COMPARTMENT

6 COMPARTMENT INSTALLATIONS ARE WIRED SIMILAR TO 4 COMPARTMENT WIRING, WITH THE NUMBER 6 PAIR OF SENSORS REPLACING THE TERMINATOR UNIT. THE WHITE WIRE IS CONNECTED IN COMPARTMENT #6 SENSOR HOUSING TO THE SENSOR RED WIRE, AND NOT TO SPliced FOR CONTINUATION TO COMPARTMENT #5, ETC. REMOVE JUMPER IF INSTALLING MORE THAN 4 COMP.