

LJ 10" Pressure Relieving Fill Cover Assembly

The LJ 10" is a Pressure Relieving Fill Cover unit. The spring loaded fill cap is designed to eliminate flutter during emergency pressure release and to provide a positive seal under normal operating conditions. The LJ cover is equipped with a 3" high weld ring to provide a low profile. This unit is available in either steel or stainless steel material.



Applications

- Fill Opening
- Clean Out
- Inspection Cover
- Sampling Port

Features & Benefits

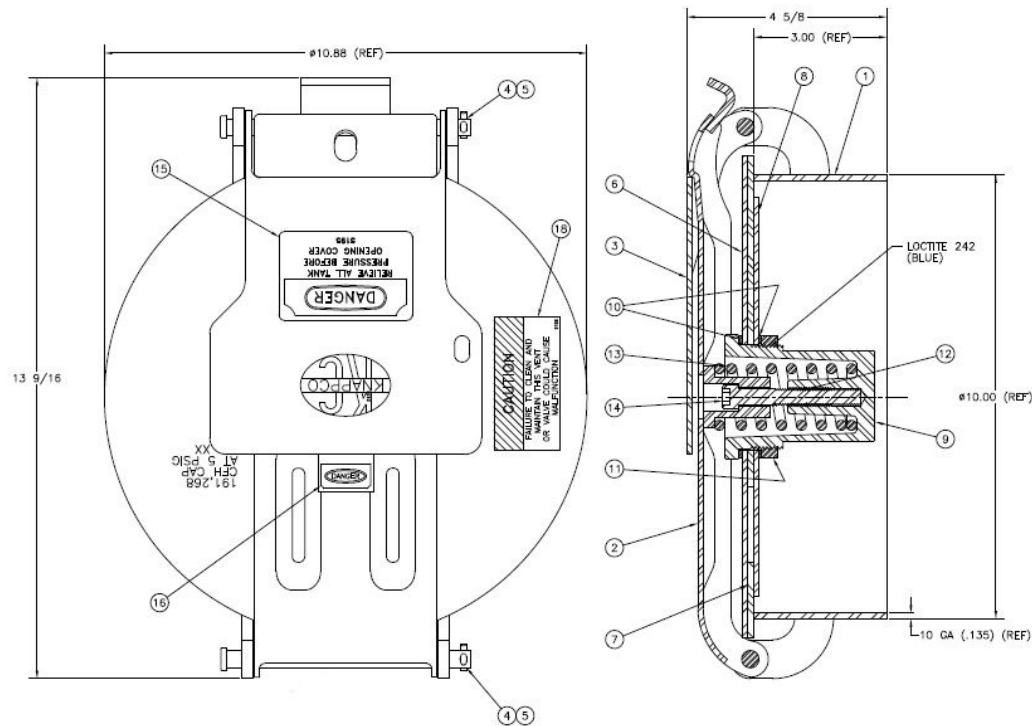
- Rated emergency venting capacity - 191,268 CFH @ 5 PSI (starts at 3 PSI)
- VE0007 vent may be installed for vacuum relief
- PV Vent may be installed for normal venting with rollover protection

Markets

- Cargo Tank
- Conveying Systems
- Industrial
- Storage Silos

MODEL	COVER MATERIAL		WELD RING MATERIAL		GASKET MATERIAL			VENT TYPE	
	CONTACT	EXTERNAL							
LJ	1	SS304	SS304	0	None	1	Black Buna-N	0	No Vent
	2	Steel	Steel	1	SS304	4	White Neoprene	1	NV4000
	4	SS304	Alum	2	Steel				
				3	Aluminum				

LJ 10" Pressure Relieving Fill Cover Assembly



NO.	PART NAME	STEEL	PLATED	SS304	ALUM	QTY
1	3" Weld Ring Assy.	3633		3401	4120	1
2	Strongback Assy.	1236		3405		1
3	Latch	1125		1127		1
4	Hinge Pin		2106	2090		2
5	Cotter Pin	1045		1083		2
6	Fill Cover	1240		6255		1
6	Fill Cover w/ Vent	3495				1
8	Retainer	1242		3406	4122	1
8	Retainer w/ Vent	3496				1
9	Springwell			4455	4154	1
11	Springwell Nut		1200	3400		1
13	Spring		4192			1
14	Screw, 3/8-16 x 2 3/4		4194			1

NO.	GASKET MATERIAL	Qty
10	Hi-Temp	2
7	Buna-N	1
	White Neoprene	1

Specifications

- Product/Part Numbers: See Ordering Specification Chart
- Dimensions: Overall Height 4-3/8" (Approximately)
- Weight: 16 lbs.