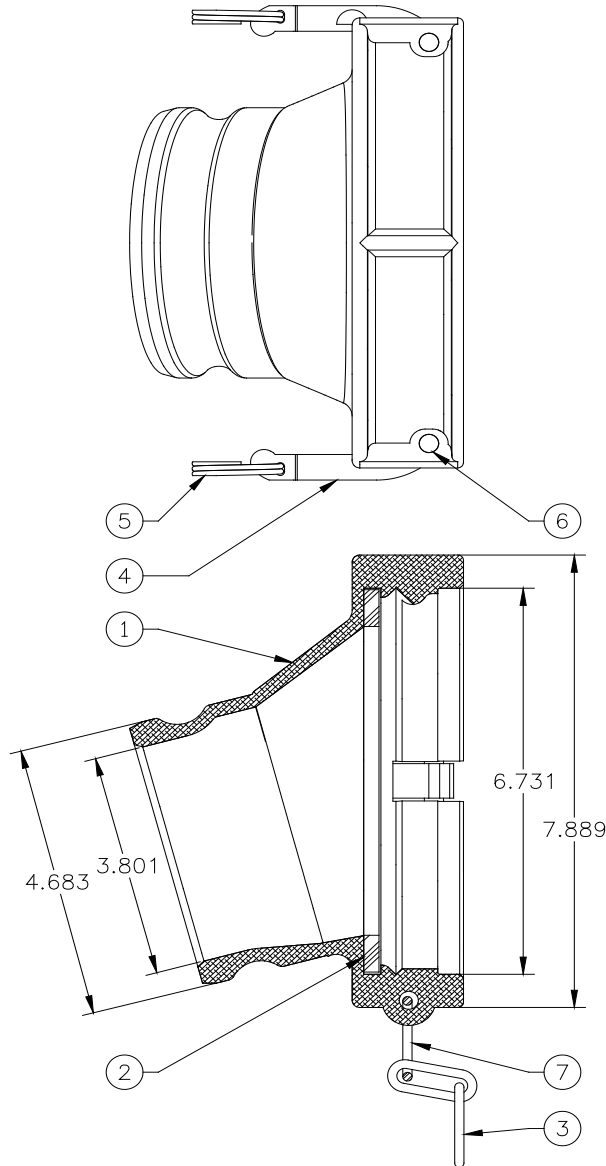


871A-AL40A-V 4" Gravity Coupler-Viton Seat



ITEM	PART NUMBER	DESCRIPTION	QTY
1	E00221A	BODY, MACHINED	1
2	H20462M	GASKET, VITON	1
3	H20325M	CHAIN, ZINC PLATED	1
4	12629 ¹	CAM ARM	2
5	H20550M ¹	FINGER RING	2
6	H20144M ¹	GROOVE PIN	2

1 - Included in 871-ARM KIT

ITEM	PART NUMBER	DESCRIPTION	QTY
7	H08328M	CONNECTOR RING	1

REPAIR KITS	
871-ARM KIT	CAM LEVER REPAIR KIT