

## ElectroTite Tank Sump

Introducing the latest OPW tank sump innovation from the engineering labs of FLEXWORKS and FIBRELITE. ElectroTite is the most watertight system on the market. It ships factory installed with conduit ports and electrical wiring box – eliminating unnecessary tank sump leak points at site installation. No drill, no water, no sweat.

### Features & Benefits:

#### Water Tight:

- ◆ Reduces the number of entry and leak points into sump
- ◆ Sealed conduit threads on outside of sump – enter above water table
- ◆ Factory installed fitting with proper torque guns, cutting tools and sealing compound

### Materials:

**Sump: Resin Transfer Molding (RTM) technology**



Uses built-in electrical seal-offs

**ElectroTITE**  
NO DRILL DRY SUMP TECHNOLOGY\*  
\*Patent Pending

# FXSX - X - XXXXXX

**FCS** = FibreTite Conduit Sump

**M** = Medium bury

**Only available on FCS**

**42** = 42" Sump Base Diameter

**33** = 33" Sump Lid Diameter (WT-33)

**CR** = Collar Ring Mount

**FTS** = FibreTite Tank Sump

**D** = Deep bury

**1** = One ElectroTite Conduit Box

**48** = 48" Sump Base Diameter

**37** = 37" Sump Lid Diameter (WT-37)

**SB** = Solid Bottom

**2** = Two ElectroTite Conduit Boxes

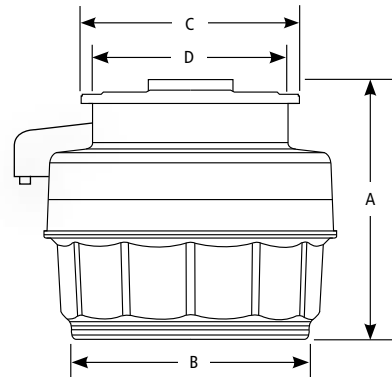
#### Versatile for Your Installation:

- ◆ UL Listed Explosion-Proof junction box allows space to re-route communication wires and loop additional sensors without entering sump
- ◆ Shield allows for high voltage and sensor wires to be separated in the same box
- ◆ Conduits can be potted entering box, exiting box, or both using built-in electrical seal-offs

- ◆ UL Listed Explosion-proof box is single-piece cast aluminum, with bolt-on access cover

#### Factory Installed:

- ◆ Eliminates the need to cut holes in sump for conduits
- ◆ No field-installed conduit penetrations



### Ordering Specs

Model Number	Sump Base Diameter (B)	Max Sump Height (A)	Minimum Sump Height (A)	Sump Mount Design	Sump Lid Diameter (C)	Minimum Diameter Opening (D)	# of Conduit Boxes
FCSM-1-4233CR	42"	46"	39"	Collar Ring Mount	34.8"	29"	Single
FCSM-1-4233SB	42"	46"	39"	Solid Bottom	34.8"	29"	Single
FCSD-1-4233CR	42"	53"	47"	Collar Ring Mount	34.8"	29"	Single
FCSD-1-4233SB	42"	53"	47"	Solid Bottom	34.8"	29"	Single
FCSM-2-4233CR	42"	46"	39"	Collar Ring Mount	34.8"	29"	Dual
FCSM-2-4233SB	42"	46"	39"	Solid Bottom	34.8"	29"	Dual
FCSD-2-4233CR	42"	53"	47"	Collar Ring Mount	34.8"	29"	Dual
FCSD-2-4233SB	42"	53"	47"	Solid Bottom	34.8"	29"	Dual
FCSM-1-4837CR	48"	46"	39"	Collar Ring Mount	39.5"	34.6"	Single
FCSD-1-4837CR	48"	53"	47"	Collar Ring Mount	39.5"	34.6"	Single
FCSM-2-4837CR	48"	46"	39"	Collar Ring Mount	39.5"	34.6"	Dual
FCSD-2-4837CR	48"	53"	47"	Collar Ring Mount	39.5"	34.6"	Dual

### Replacement Parts

Part Number	Sump Base Diameter
FTSMBASE-42CR	42" Medium Bury Collar Mount Base
FTSMBASE-42SB	42" Medium Bury Solid Bottom Base
FTSDBASE-42CR	42" Deep Bury Solid Collar Mount Base
FTSDBASE-42SB	42" Deep Bury Solid Bottom Base
FTSMBASE-48CR	48" Medium Bury Collar Mount
FTSDBASE-48CR	48" Deep Bury Collar Mount
FTS-4233TH	Top Hat for 42" Base Sump and 33" Lid

Part Number	Sump Base Diameter
FTS-4237TH	Top Hat for 42" Base Sump and 37" Lid
FTS-4837TH	Top Hat for 48" Base Sump and 37" Lid
WT-33SL	33" Fibretite Sump Lid
WT-37SL	37" Fibretite Sump Lid
FCS42-EX12	42" Diameter Sump 12" Extension
FCS48-EX12	48" Diameter Sump 12" Extension