

ONE COMPANY. ONE WORLD. ONE SOURCE.™

# OPW 200TG AST MECHANICAL TANK GAUGE



**NOW**



**LISTED**

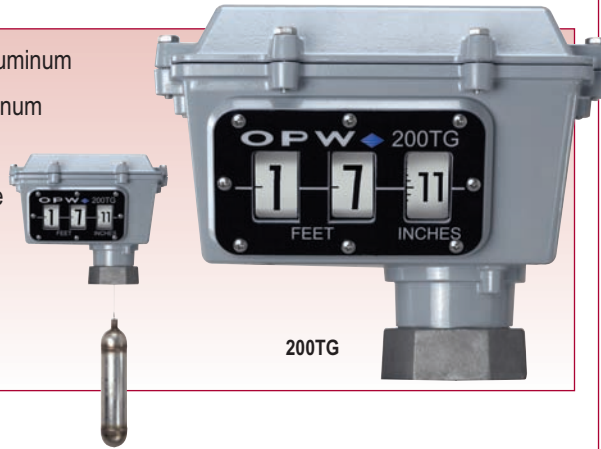
**UL LISTING MH29367**

**OPW** 

A **DOVER**™ COMPANY

## Materials

- Enclosure:** Powder-Coated Aluminum
- Swivel Base:** Hard-Coat Aluminum
- Float:** 304 Stainless Steel
- Lenses:** Tempered Borosilicate
- Gears:** Acetal
- Gaskets & O-Rings:** Nitrile
- All Hardware:** Stainless Steel



## OPW 200TG AST MECHANICAL TANKGAUGE

The OPW 200TG Tank Gauge is designed for reading liquid levels in horizontal or vertical aboveground storage tanks. The 200TG Tank Gauge provides an accurate numerical counter readout, eliminating the need for any on-site manual gauging.

## Features

- ◆ **Vapor-Tight** – Allows for standard tank pressure testing and sealing up to 25-psig (1.72 bar).
- ◆ **Angled Face** – Improves visibility from ground on large diameter tanks. May be read easily up to 30 feet away (9.14 m).
- ◆ **Swivel Adaptor Base** – Allows for 360 degrees of rotation of gauge face for easy viewing wherever needed.
- ◆ **Easy Installation** – 2" NPT-threaded base reduces labor time, and comes standard with female thread. A "H11421RS" may be purchased for male threaded applications.
- ◆ **Corrosion-Resistant Construction** – A powder-coated die cast-aluminum body assures for long service life in many fluids.
- ◆ **Drop Tube** – Prevents float entanglement in the tank, and gives the gauge a more accurate reading when turbulence is present (Drop Tubes sold separately. They are recommended for use in tanks with high turbulence, and where other piping and structures inside the tank may cause entanglement).
- ◆ **Floater Buoyancy** – Designed to float in all approved fuels with a specific gravity of 0.65 and greater.
- ◆ **Tank Height** – Unit designed for use on any horizontal or vertical aboveground tank up to 18 feet (5.5 m) in depth. Specials available upon request.
- ◆ **Numbering** – Black letters on white background for ultimate contrast and better visibility. Characters stand over 1" (25 mm) tall.
- ◆ **Unit Measurement** – Can be purchased in metric units to read in meters, 1/10, 1/100, or in English units to read in feet and inches.
- ◆ **Maintenance** – No annual maintenance required.
- ◆ **U.S. Patent No.:** 6,523,404 - Other Patents Pending.
- ◆ **Compatible Fuels**– See chart on page 276.
- ◆ **Temperature Rating** – 120°F to -40°F (49°C - 40°C)

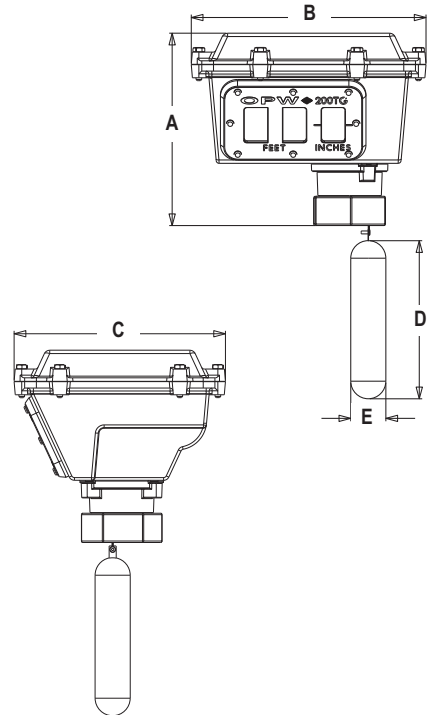
200TG Tank Gauge Instruction Sheet Order Number: **H14912PA**

## Ordering Specifications:

Product #	Description	lb.	kg
200TG-ENG	English Unit Tank Gauge up to 18 ft.	7.75	3.52
200TG-ENG40	English Unit Tank Gauge - 40 ft.	7.75	3.52
200TG-MET	Metric Unit Tank Gauge up to 6 m	7.75	3.52
200TG-MET40	Metric Unit Tank Gauge - 12 m	7.75	3.52

## (Ancillary Equipment)

Product #	Description	lb.	kg
H11421RS	2" NPT Male x Male Nipple	1.5	0.68
61T-0208	2" Dia. x 8' Long Drop Tube	2.67	1.21
61T-0212	2" Dia. x 12' Long Drop Tube	4.00	1.81
61T-0216	2" Dia. x 16' Long Drop Tube	5.33	2.42



## Dimensions:

	in.	cm
A	8 1/4	21
B	10 1/4	26
C	9	22.75
D	6 3/4	17.25
E	1 1/2	3.75

## Replacement Parts:

Part #	Description
C05165M	Float
H14358M	Lens
H14909M	Lid Gasket



North America Toll Free – TELEPHONE: (800) 422-2525 ♦ Fax: (800) 421-3297 ♦ Email: domestic@opw-fc.com  
 International – TELEPHONE: (513) 870-3315 or (513) 870-3261 ♦ Fax: (513) 870-3157 ♦ Email: intl@opw-fc.com  
 www.opw-fc.com

♦ P.O. Box 405003 ♦ Cincinnati, OH 45240-5003 ♦ Printed in USA

**IMPORTANT:** OPW products should be used in compliance with applicable federal, state, provincial, and local laws and regulations. Product selection should be based on physical specifications and limitations and compatibility with the environment and materials to be handled. OPW MAKES NO WARRANTY OF FITNESS FOR A PARTICULAR USE. All illustrations and specifications in this literature are based on the latest product information available at the time of publication. OPW reserves the right to make changes at any time in prices, materials, specifications and models and to discontinue models without notice or obligation.

© 2008, OPW Fueling Components

© 2008 Delaware Capital Formation, Inc. All Rights Reserved. DOVER and the DOVER logo are registered trademarks of Delaware Capital Formation, Inc., a wholly-owned subsidiary of Dover Corporation.