


Now
Even **E-Z-R**
Visual Instructions

68EZR
RECONNECTABLE BREAKAWAY
FAST ◆ **EASY** ◆ **SECURE**

The *Fastest, Easiest & Most Secure* Reconnectable Breakaway in the Industry

- ◆ Improved Visual Instructions
- ◆ Assurance of Connection With Clear Visual Tabs
- ◆ Audible Click to Know it is Locked and Secure
- ◆ Trusted and Proven Technology
- ◆ No Annual Maintenance
- ◆ Lowest Overall Total Cost of Ownership

**PATENT
PENDING
EZ-RECONNECT
TECHNOLOGY
INSIDE**

Patent Pending  



OPW 
A **DOVER** COMPANY

See Your OPW Retailer or Equipment Provider For More Info, or Contact Us At:
(800)422-2525 **WWW.68EZR.COM**

ONE COMPANY. ONE WORLD. ONE SOURCE.™



OPW 68EZR 3/4" Reconnectable Breakaway

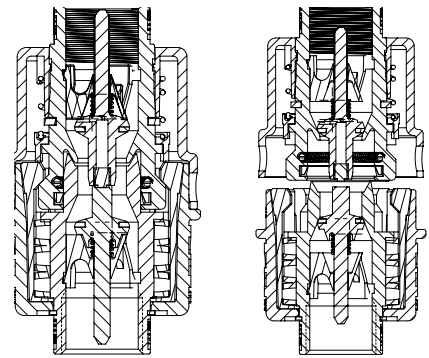
The OPW 68EZR Reconnectable Breakaway has been designed for retail fueling operations to deliver an increased level of security in the event of a drive off. Not only is it the fastest and easiest breakaway in the industry to reconnect, but also the one that delivers the greatest peace of mind that it is securely reconnected. Built on the 66REC breakaway technology platform, the 68EZR delivers trusted OPW quality and proven technology at the lowest cost of ownership. The 68EZR is installed on fuel dispensing hoses and will separate when subjected to a designated pull force. Upon separation, the dual valves seat automatically, stopping the flow of fuel and limiting any fuel spillage, while protecting the dispensing equipment. For proper operation on high-hanging hoses, the OPW 68EZR 3/4" must always be installed with a "straightening" hose with a minimum length of 9", such as the OPW 66H. For low hose applications, the OPW 68EZR should be installed downstream of the retractor cable.

Features

- ◆ UL and ULC listed for use in gasoline, diesel and up to 10% ethanol blends. Specific listings available at www.opwglobal.com.
- ◆ Pull Force – the 68EZR will break away with a pull force of no more than 250 lbs.
- ◆ Unique Double-Poppet Design – features low pressure drop.
- ◆ Coupling Halves – protected by proven plastic sleeves.
- ◆ Easily Reconnected – features large guidance tabs for clear visual reconnection alignment assurance and "Push-Twist-Click" technology; simply realign the valve, push in and then twist until you hear the audible click.
- ◆ Cold weather compatible
- ◆ Line Shock – the OPW 68EZR is able to absorb the effects of normal line shock through the unique design of the disconnecting features.
- ◆ 50 psi (3.45 bar) maximum allowable operating pressure.

Materials

- Body: Zamak
- Protective Sleeves: Zytel
- Main Seals: Viton®
- Main Spring: Stainless steel
- Guide and Poppets: Acetal / Delrin



OPERATING POSITION:
POPPETS OPEN,
INTERLOCK ENGAGED,
COUPLING IN CONTACT
WITH FORCE RAMPS.

DRY RECONNECT POSITION:
POPPETS CLOSED,
MALE BODY SEALED AGAINST
FEMALE BODY O-RING.

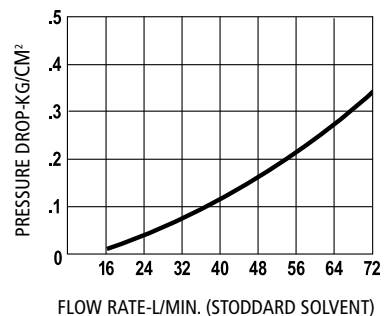
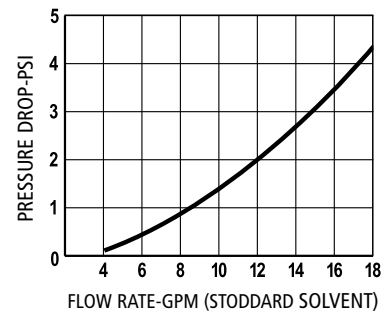
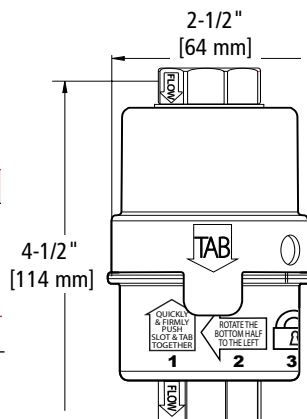
Ordering Specifications

Product #	in.	mm	lbs.	kg
68EZR-7575	3/4" (NPT)	19	1.2	.54

Replacement Parts

Part #	Description
211143	Main Seal

68EZR Series Instruction Sheet Order Number: 208080



North America Toll Free – (800) 422-2525
Email: domesticsales@opw-fc.com
International – (513) 870-3315
or (513) 870-3261 Email: intlsales@opw-fc.com

Listings and Certifications



Leading The Way in Fluid Handling Solutions Worldwide