

Committed to Environmental Sustainability

OPW is committed to the long-term sustainability of our world. Every product we build is about enabling operators to provide a safer, cleaner, greener environment for themselves, their families and their customers.

For more information on the OPW CARB-Certified AST EVR Solution, call us at 800-422-2525 or visit us on the web at: www.opwastevr.com

Phase 1 Testing	OPW	Competitors
Efficiency > 98%	✓	✗
Static Pressure Performance Testing of:		
• Fixed Cam & Groove Adaptors and Caps	✓	✗
• Overfill Prevention Valve	✓	✗
• Emergency Vent	✓	✗
• Direct-Fill Spill Container with Drain Valve	✓	✗
• Tank Gauge	✓	✗
• Tank Alarm	✓	✗
CARB Certified	✓	✗

Ordering Specifications

301 Emergency Vent		1611 & 1612 Kamvalok Adaptor		144TA & 444TA AST Tank Alarm	
301-3080	3" Female NPT, 8 oz.	1611AN-2040	2" Direct Fill with Buna seal	444TA-0100	Four Signal Tank Alarm Box, No Float Switches
301M-3081	3" Male NPT, 8 oz.	1612AN-2040	2" Direct Fill with Viton seal	144TA-0100	Single Channel Liquid Level Tank Alarm, No Float Switches
301-3160	3" Female NPT, 16 oz.	1611AN-3060	3" Direct Fill with Buna seal	44TA-LLFS	36" Liquid Level Float Switch
301M-3161	3" Male NPT, 16 oz.	1612AN-3060	3" Direct Fill with Viton seal	199ASV Anti-Siphon Valve	
301-4080	4" Female NPT, 8 oz.	1611AN-0200	2" Remote Fill with Buna seal	199ASV-1075	3/4" Dia., 0' - 5' Head Pressure
301M-4081	4" Male NPT, 8 oz.	1612AN-0200	2" Remote Fill with Viton seal	199ASV-2075	3/4" Dia., 5'-10' Head Pressure
301-4160	4" Female NPT, 16 oz.	1611AN-0300	3" Remote Fill with Buna seal	199ASV-3075	3/4" Dia., 10' - 15' Head Pressure
301M-4161	4" Male NPT, 16 oz.	1612AN-0300	3" Remote Fill with Viton seal	199ASV-1100	1" Dia., 0' - 5' Head Pressure
301-6080	6" Female NPT, 8 oz.	634B & 634BK Dust Caps		199ASV-2100	1" Dia., 5'-10' Head Pressure
301M-6081	6" Male NPT, 8 oz.	634B-0160	2" Cap	199ASV-3100	1" Dia., 10' - 15' Head Pressure
301-6160	6" Female NPT, 16 oz.	634B-0180	3" Cap	199ASV-1150	1.5" Dia., 0' - 5' Head Pressure
301M-6161	6" Male NPT, 16 oz.	634BK-0200	2" Lockable Cap	199ASV-2150	1.5" Dia., 5'-10' Head Pressure
301-8080	8" Female NPT, 8 oz.	61VSA Rotable Swivel Adaptor		199ASV-3150	1.5" Dia., 10' - 15' Head Pressure
301M-8081	8" Male NPT, 8 oz.	61VSA-1020-EVR	61VSA rotatable swivel adaptor	199ASV-1200	2" Dia., 0' - 5' Head Pressure
301-8160	8" Female NPT, 16 oz.	1711T-1711LPC Vapor Recovery Caps		199ASV-2200	2" Dia., 5'-10' Head Pressure
301M-8161	8" Male NPT, 16 oz.	1711T-7085-EVR	Vapor recovery cap	199ASV-3200	2" Dia., 10' - 15' Head Pressure
301F-8085	8" Flange, 8 oz.	1711LPC-0300	Heavy duty, low profile, top seal vapor cap	821 Solenoid Valve	
301F-8165	8" Flange, 16 oz.	61FT Drop tube		821-0075AC	3/4" Solenoid valve
301F-1085	10" Flange, 8 oz.	61FT-0206	2" x 6' Drop tube kit	821-0100AC	1" Solenoid valve
61fSTOP Overfill Prevention Valve		61FT-0312	3" x 12' Drop tube kit	821-0150AC	1.5" Solenoid valve
61FSTOP-1000T	2" NPT with cylindrical float	200TG Mechanical Tank Gauge		821-0200AC	2" Solenoid valve
61FSTOP-2000T	2" NPT with float arm	200TG-ENG	English unit, up to 20 ft.	21BV Two-Way Ball Valve	
61FSTOP-3050T	3" NPT with cylindrical float	200TG-ENG40	English unit, up to 40 ft.	21BV-0050	0.5" Ball valve
331 & 332 Direct Fill Spill containers		200TG-MET	Metric unit, up to 6 m	21BV-0075	0.75" Ball valve
331-ASTW74	Welded, 7 gallon, 4" NPT	200TG-MET40	Metric unit, up to 12 m	21BV-0100	1.0" Ball valve
331-ASTW76	Welded, 7 gallon, 6" NPT	61T-0208	2" dia. X 8' long drop tube	21BV-0150	1.5" Ball valve
332-ASTW74	Spun, 7 gallon, 4" NPT	61T-0212	2" dia. X 12' long Drop tube	21BV-0200	2.0" Ball valve
332-ASTW76	Spun, 7 gallon, 6" NPT	61T-0216	2" dia. X 16' long Drop tube	21BV-0300	3.0" Ball valve



North America Toll Free – TELEPHONE: (800) 422-2525 • Fax: (800) 421-3297 • Email: domesticsales@opw-fc.com
 International – TELEPHONE: (513) 870-3315 or (513) 870-3261 • Fax: (513) 870-3157 • Email: intlsales@opw-fc.com
www.opwglobal.com

OPW Fueling Components • 9393 Princeton-Glendale Road • Hamilton, OH 45011 • Printed in USA

IMPORTANT NOTICE: FlexWorks by OPW, Inc., VAPORSAVER™ and all other OPW products must be used in compliance with all applicable federal, state, provincial and local laws, rules and regulations. Product selection must be based on physical specifications and limitations, compatibility with the environment and material to be handled. All illustrations and specifications in this literature are based on the latest production information available at the time of publication. Prices, materials and specifications are subject to change at any time, and models may be discontinued at any time, in either case, without notice or obligation.

Leading the Way in Above Ground Storage Tank Equipment Solutions



OPW – The **First** Above Ground Storage Tank
System Certified to Meet the World's Most
Stringent Vapor Recovery Standards

The Best Overall
Environmental
Protection and Value
in the Industry!



OPW 
A **DOVER**™ COMPANY

ONE COMPANY. ONE WORLD. ONE SOURCE.™



Leading the Way in Above Ground Storage

OPW AST products were the first to receive CARB Certification for AST Phase 1 Enhanced Vapor Recovery.

An Affordable, Cleaner, Greener Way – Now You Can Help Protect the Environment and Your Budget!

At OPW, environmental sustainability is at the core of everything we do. We believe the combination of "green" and "value" is good business.

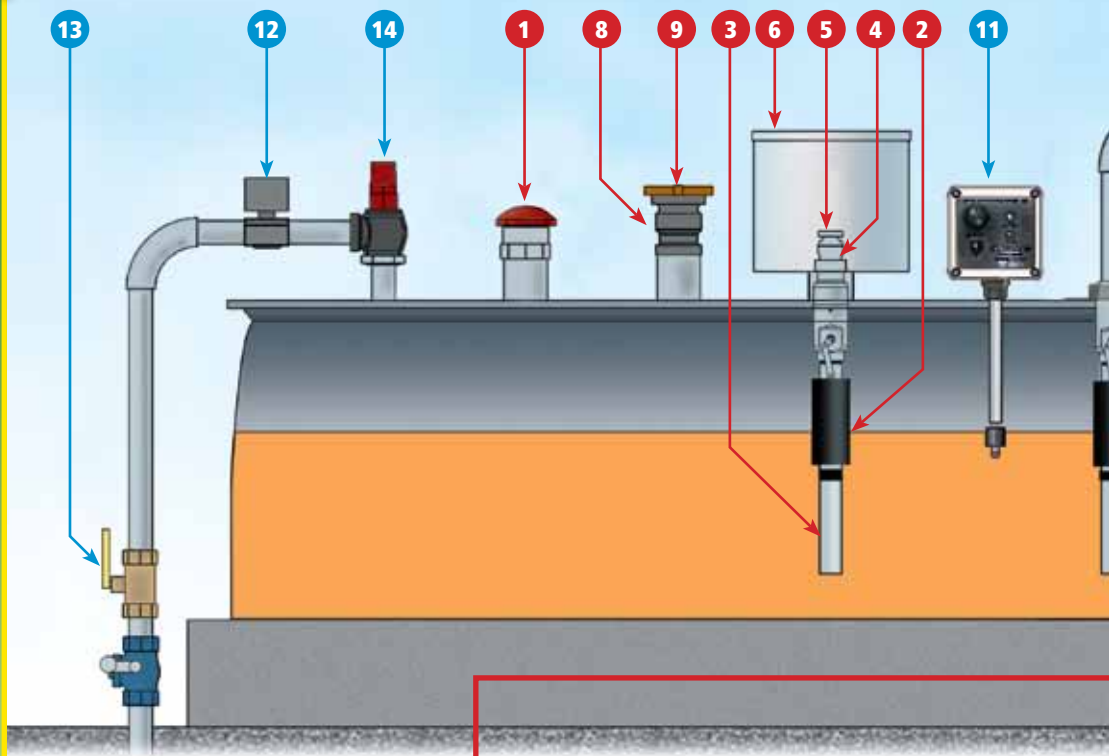
This is particularly true with our above ground storage tank (AST) products. OPW was the first Phase I AST System in the industry to be certified by the California Air Resources Board (CARB).

The system successfully prevents the emissions of hazardous air pollutants during the loading of gasoline into ASTs.

Comparably priced to non-CARB certified AST products, the OPW AST solution offers the best overall value in the industry. It provides enhanced environmental protection at an affordable price.

For more complete information about the OPW AST EVR solution, visit: www.opwastevr.com

No other AST solution offers you the highest level of clean air protection and overall value as OPW.



REQUIRED PRODUCTS

Products certified by CARB to meet Phase I EVR Requirements

- 1 301 Emergency Vent Valve**
 - When AST pressure builds, weighted cast iron lid is forced up off seat to relieve pressure. When pressure is relieved, the lid lowers and is automatically reset
 - Available in 3", 4", 6" and 8" openings with female NPT, male NPT or flanged connections (8" and 10") to allow for easy installation in new or existing above ground tanks
- 2 61fSTOP Overfill Prevention Valve**
 - The OPW 61fSTOP is designed to prevent overfilling of ASTs by providing a positive shut-off during a pressurized-fill (pump-on fill) delivery
 - Available for both direct-fill and remote-fill applications
- 3 61FT Drop Tube**
 - Designed to install on the bottom of the 61fSTOP AST Overfill Prevention Valves when a lightweight, longer, lower drop tube is required
- 4 1611 & 1612 Series Kamvalok Adaptors**
 - Installed onto the 61fSTOP overfill prevention valve
 - They contain an internal spring loaded valve assembly that automatically closes to help prevent fuel spillage
- 5 634B & 634BK Dust Caps**
 - Designed to deter dust, debris and water from entering the tank
- 6 331 and 332 Series Direct-Fill Spill Container***
 - Catches spillage to help prevent soil contamination and groundwater pollution
 - Threads on the top of an above ground tank and allows for drainage of spilled product back into the tank
- 7 211-RMOT Remote-Fill Spill Container***
 - Catches spillage to help prevent soil contamination and groundwater pollution
 - Slips on the remote-fill and vapor return piping connected to an above ground tank
- 8 61VSA Rotatable Swivel Adaptor**
 - Designed to mate with a vapor recovery elbow, featuring a top section that rotates with hose movement while the bottom section remains securely sealed to the 4 inch tank riser
- 9 1711T & 1711LPC Vapor Recovery Caps**
 - Caps feature enhanced ribbed seals and increased sealing forces to provide a bubble tight seal

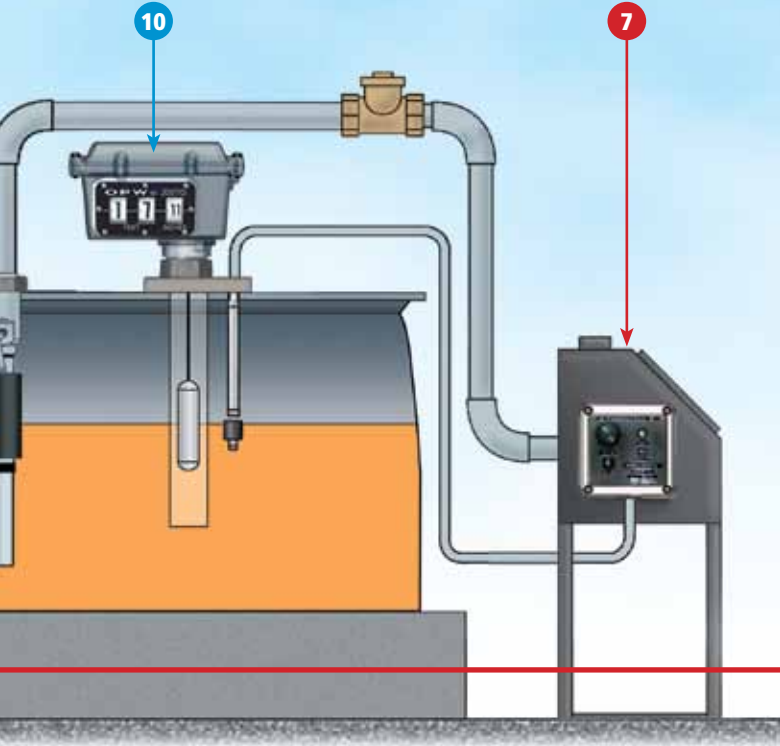
*Only one spill container is required, either remote or direct -fill



A DOVER COMPANY

Storage Tank Equipment Solutions

In a class by themselves, OPW AST products provide the highest level of clean air protection and overall value.



RECOMMENDED PRODUCTS

- 10 200TG Mechanical Tank Gauge**
 - Designed for reading liquid levels in horizontal or vertical above ground storage tanks
 - Provides accurate numerical counter readout, eliminating the need for any on-site manual gauging
 - Vapor Tight – Allows for standard tank pressure testing, sealing up to 50 psig
- 11 144TA and 444TA AST Tank Alarm**
 - Designed to sense up to four different liquid levels or other signals using just one device
 - Audible Alarm – Sounds a 90-decibel alarm at 4 feet away
 - Visual Notifications – Red alarm light will flash during use for notification to the user
 - Intrinsically Safe – Complies with ANSI/UL 913 for Class 1, Division 1 & 2 for Groups C & D hazardous locations.
 - May be assembled remotely or directly on top of tank
- 12 821 Solenoid Valve**
 - Designed to prevent accidental siphoning of above ground storage tanks if a leak or break occurs in the fuel supply line
- 13 21BV Full Port Two-Way Ball Valve**
 - Used throughout fueling systems where a shut-off point is desirable to isolate a section of the piping system
- 14 199ASV Anti-Siphon Valve**
 - Designed to help prevent siphoning of an above ground storage tank should a leak or break occur in the fuel supply line

REQUIRED PRODUCTS

- 1 301 Emergency Vent Valve**
- 2 61fStop "The Stopper" Overfill Prevention Valve**
- 3 1711T and 1711LPC Vapor Recovery Caps**
- 4 1611 & 1612 Series Kamvalok® Adaptors**
- 5 634B Dust Cap & 634BK Lockable Dust Cap**
- 6 331 and 332 AST Spill Container***
- 7 211-RMOT Remote-Fill Above Ground Storage Tank Spill Container***
- 8 61VSA Vapor Swivel Adaptor**
- 9 61VSA Vapor Swivel Adaptor**

*Only one spill container is required, either remote or direct-fill

RECOMMENDED PRODUCTS

- 10 200TG Mechanical Tank Gauge**
- 11 144TA and 444TA AST Tank Alarm**
- 12 821 Solenoid Valve**
- 13 21BV Full Port Two-Way Ball Valve**
- 14 199ASV Anti-Siphon Valve**