

Leading The Way In E85 Underground Storage Tank Equipment Solutions

We've extended our line of approved Phase 1 Vapor Recovery E85 Products for USTs to include these exciting NEW products – all are CARB/EVR Approved!

NEW 71SOM

- ◆ 71SOM-412C Overflow Prevention Valve
- ◆ 61VSA-MA Vapor Recovery Swivel Adaptor
- ◆ 61SALP-MA Fill Swivel Adaptor
- ◆ 71JSK-44MA Jack Screw Kit
- ◆ 71JSK-4RMT Remote Fill Jack Screw Kit
- ◆ 62M-MA Monitoring Cap
- ◆ 61T-SS-0412 and 0417 Drop Tube

**CARB
EVR
CERTIFIED**

Welcome to our Extended Line of CARB EVR Approved E85 UST Products



If you're handling E85, its time you get to know the entire line up of OPW CARB EVR Approved E85 UST Equipment. From our 2100 and EDGE Series spill containers to our innovative NEW 71SOM Overfill Prevention Valve, you can count on legendary OPW quality and performance to make sure you're covered!

Regardless of whether or not you are in a CARB EVR required area for E85, you can rest assured that OPW UST E85 products meet the most stringent EPA regulations for spill containment and vapor tight integrity so you are doing all you can do to help keep the air pure and the water clean at your site.



- 

1 634TT-EVR Fill Cap

 - Heavy duty and corrosion resistant Duratuff® body eliminates rust and oxidation for a long, maintenance-free life
- 

2 634LPC Low Profile Top-Seal Fill Cap

 - Designed for tight installations where the clearance between the top of the fill adaptor and the underside of the spill container cover is limited
 - Rugged iron lever provides a positive cam-action that seats the cap firmly in the adaptor groove for a water and vapor-tight seal
- 

3 FSA-400 Face Seal Adaptor

 - Provides a flat, true sealing surface on threaded pipes where a gasket seal exists per EVR requirements.
 - Installs on fill pipe riser below the spill container to provide a true sealing surface for the drop tube flange on the overfill prevention valves

- 

4 1711T-EVR Vapor Recovery Caps

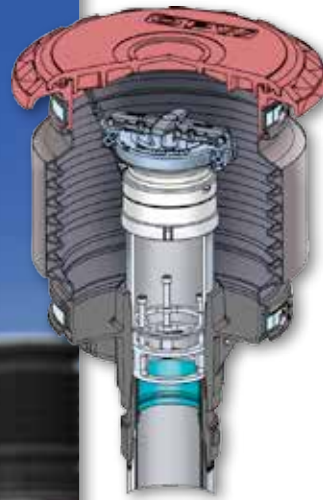
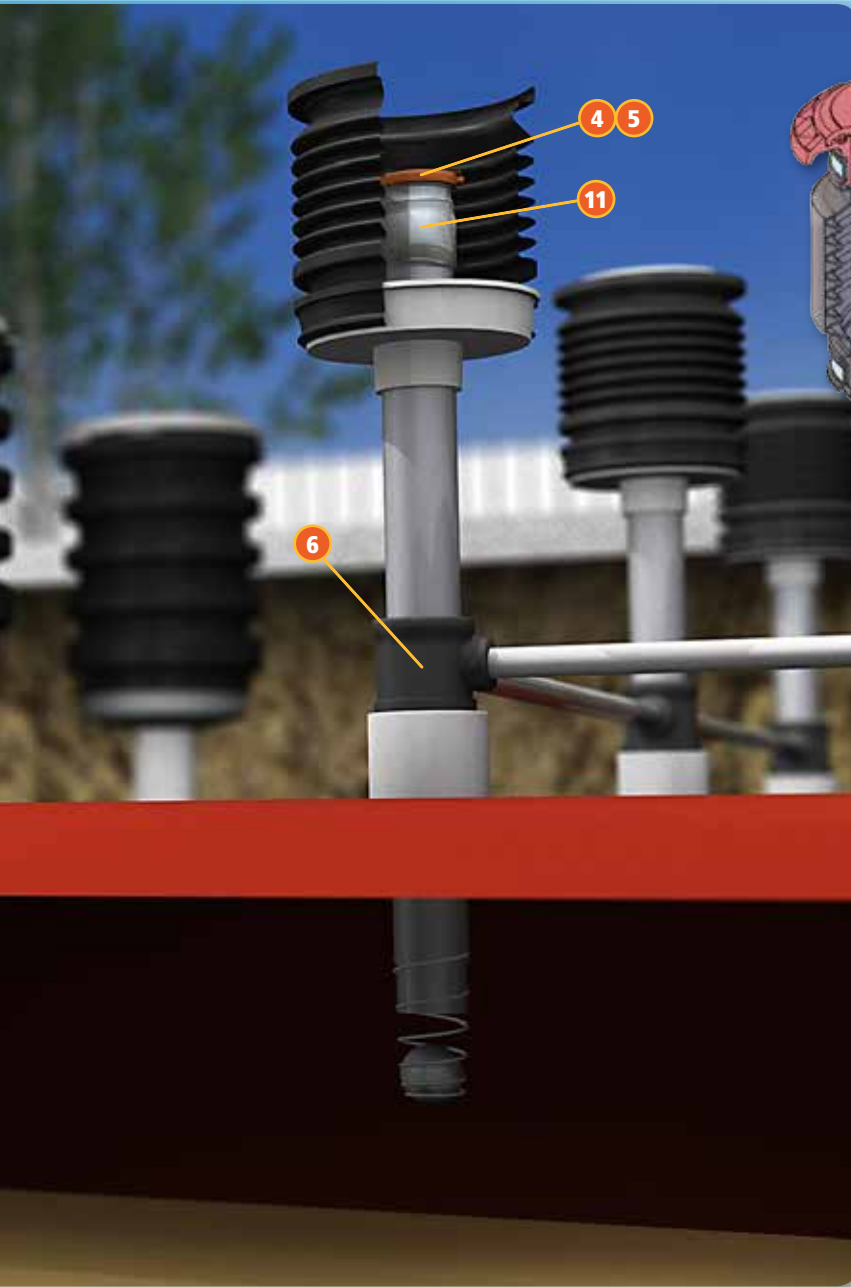
 - Installs on the vapor recovery adaptor, when not in use, to prevent vapors from escaping and to prevent water, dust and debris from entering the tank
 - Constructed of Duratuff® to help prevent corrosion
- 

5 OPW 1711LPC Low Profile Top Seal Vapor Cap

 - Designed for tight installations where the clearance between the top of the vapor adaptor and the underside of the spill container or manhole cover is limited
 - Rugged iron lever provides a positive cam-action that seats the cap firmly in the adaptor groove for a water and vapor tight seal
- 

6 233 Series Extractor Fitting

 - Designed for use with all OPW 53VML Ball Float Vent Valves that include an extractor cage



NEW 61VSA-MA Vapor Recovery Swivel Adaptor



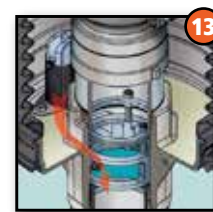
- Nickel Coated Brass construction for durability, consistent swivel torque, and reliable vapor tight sealing

NEW 61SALP-MA Fill Swivel Adaptor



- Nickel Coated Brass construction for durability, consistent swivel torque, and reliable vapor tight sealing

NEW 71JSK-4RMT: Remote Fueling Jack Screw Kit



- Nickel Plated Aluminum
- Works in conjunction with our 71SOM for remote fueling applications

NEW 71JSK-44MA Jack Screw Kit

- Plated Aluminum Construction
- Includes cages for both cast iron and composite base spill containers

14 NEW 71SOM-412C Overflow Prevention Valve

- Constructed of nickel plated aluminum, anodized aluminum, stainless steel and other compatible materials; no exposed bare aluminum
- Stainless steel lower tube included, no epoxy needed in field
- Designed for tanks up to 10 ft bury and 10 ft in diameter
- Robustly designed for long term vapor-tight performance in aggressive fuels



15 NEW 61T-SS-0412: 4" by 12 ft Drop Tube

- Stainless Steel Construction, 12 ft Length

NEW 61T-SS-0417: 4" by 17 ft Drop Tube

- Stainless Steel Construction, 17 ft Length



16 NEW 62M-MA: Monitoring Cap

- Anodized aluminum construction
- Includes 3/8" Pipe Plug and 3/8" Grommet Fitting
- Compatible with 1/2" Grommet (sold separately)



7 EDGE Series EVR Spill Containers

- OPW EDGE™ Double Wall Spill Containers install in the same space as single wall buckets
- Delivers best-in-class features that significantly improve reliability, installation, testing and serviceability-ease.



8 1-2100 EVR Series Spill Containers

- Designed to prevent spilled product from entering the soil near the fill and vapor return riser connection
- Help prevent soil contamination and groundwater pollution



9 500 Series (511 / 521) EVR Multiport

- Features flush-mounted manhole lid and raised dual dam and groove spill container ring with P511-EVR Buckets using OPW 1-2100 Style Thread-On Spill Containers
- All Fill Ports in these spill containers feature an enhanced 1DK-2100-EVR vapor tight drain valve
- Available in Composite or Cast Iron bases with 5-gallon buckets





OPW is committed to the long-term sustainability of our world. Every product we build is about enabling operators to provide a safer, cleaner, greener environment for themselves and their customers. Our CARB EVR Approved E85 UST products are an example of this commitment. Whether or not you are in a region required to comply with CARB regulations, you can rest assured, your OPW products are helping you keep you environment clean.

Ordering Specifications - Product Side

Product No.	Description
71SOM-412C	Vapor Tight Overfill Prevention Valve for Alcohol
71SO-TOOLCT	7150 Installation Tool
71JSK-4RMT	Remote Fueling Jack Screw Kit E85 EVR Approved
71JSK-44MA	Jack Screw Kit for Cast Iron Base Spill Buckets E85 EVR Approved
634TT-7085-EVR	Top Seal Fuel Cap E85 EVR Approved
634LPC-0400	Low Profile Fill Cap E85 EVR Approved
61SALP-MA	Fill Swivel Adapter E85 EVR Approved
61T-SS-0412	4" by 12 ft Drop Tube E85 EVR Approved
61T-SS-0417	4" by 17 ft Drop Tube E85 EVR Approved
FSA-400-S	Face Seal Adaptor E85 EVR Approved
233 Series	Extractor Fittings E85 EVR Approved
EVR EDGE Series	Spill Container E85 EVR Approved
EVR 2100 Series	Spill Container E85 EVR Approved
EVR 6511/6521 Series	Multiport with 1 Series Thread on Spill Containers E85 EVR Approved



Ordering Specifications - Vapor Side

Product No.	Description
1711T-7085-EVR	Top Seal Vapor Cap E85 EVR Approved
1711LPC-0300	Low Profile Vapor Cap E85 EVR Approved
61VSA-MA	Vapor Recovery Swivel Adaptor E85 EVR Approved
62M-MA	Monitoring Cap E85 EVR Approved
EVR EDGE Series	Spill Container E85 EVR Approved
EVR 2100 Series	Spill Container E85 EVR Approved
EVR 6511/6521 Series	Multiport with 1 Series Thread on Spill Containers E85 EVR Approved



9393 Princeton-Glendale Road ◆ Hamilton, Ohio USA 45011 ◆ Phone: (800) 422-2525 ◆ Fax: (800) 421-3297

NOTE: All information subject to engineering and/or other changes. All trade names are copyrighted. Patents Pending. ©2014 OPW Fueling Components.
©2014 Delaware Capital Formation, Inc. All Rights Reserved. DOVER and the DOVER logo are registered trademarks of Delaware Capital Formation, Inc., a wholly-owned subsidiary of Dover Corporation.